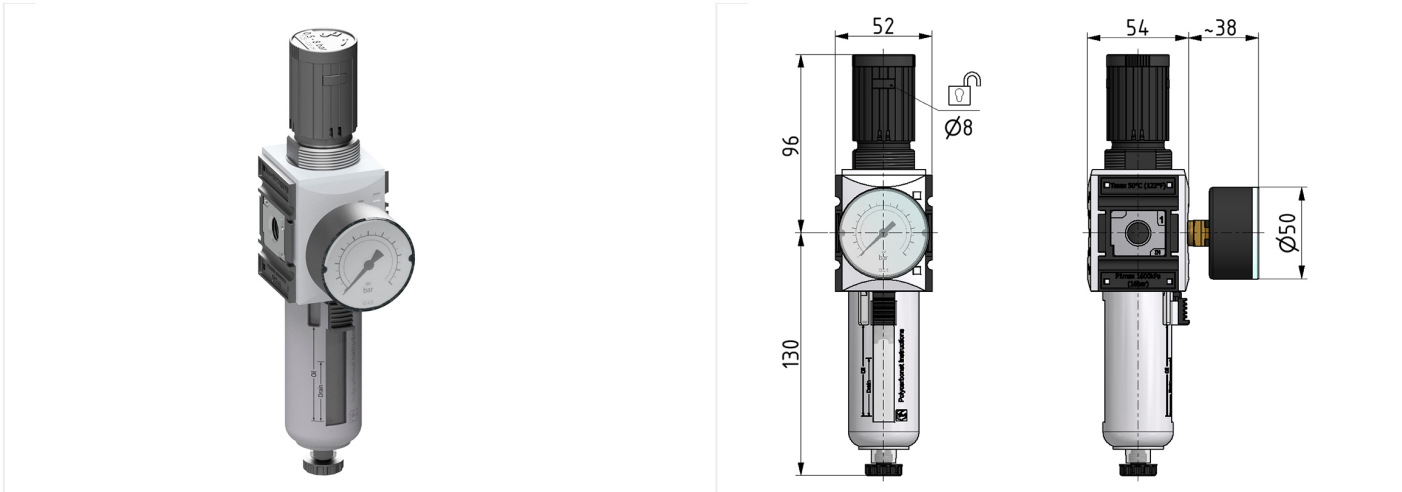
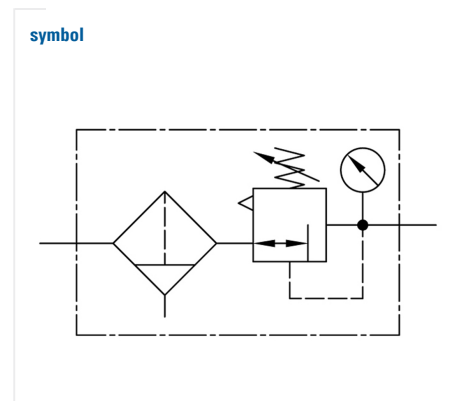
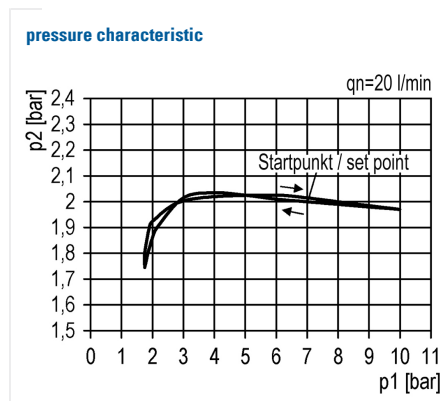
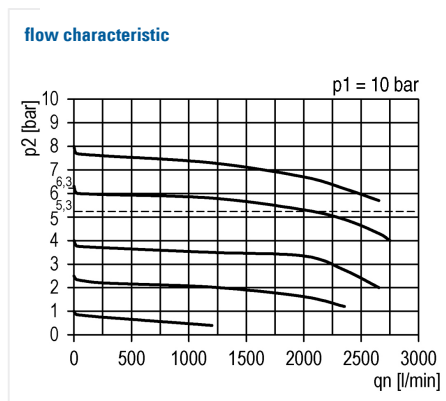


## Filter regulator of the Futura series

Filter regulator G1/4 0,5-8 5µm with PC bowl, bowl guard, semi automatic drain and gauge G 50.10 R



type	part-number	series	port size	flow rate	adjustment range P2 max.	weight
KFRG-114/8 G	92101.CC03	Futura	G 1/4	2000 l/min	8 bar	0.432 kg



**technical data**

- **description:** sinter filter centrifugal principle, diaphragm-type pressure with relieving feature
- **medium:** compressed air, neutral gases
- **supply pressure P1 min.:** 1,5 bar
- **supply pressure P1 max.:** 16 bar
- **temperature range:** -10°C - +50°C
- **bowl:** PC with PA bowl guard
- **drain:** HA
- **locking:** lockable setting knob
- **mounting:** vertical
- **filter element:** 5 µm

**accessories**



- mounting bracket:  
[KBW.1-1225](#)



- coupling kit wall mounting:  
[KKOP.1W](#)



- control panel mounting:  
[KBW.1-1227](#) + SM.1

- rotary lock: VH.31 without key or VH.32 with key