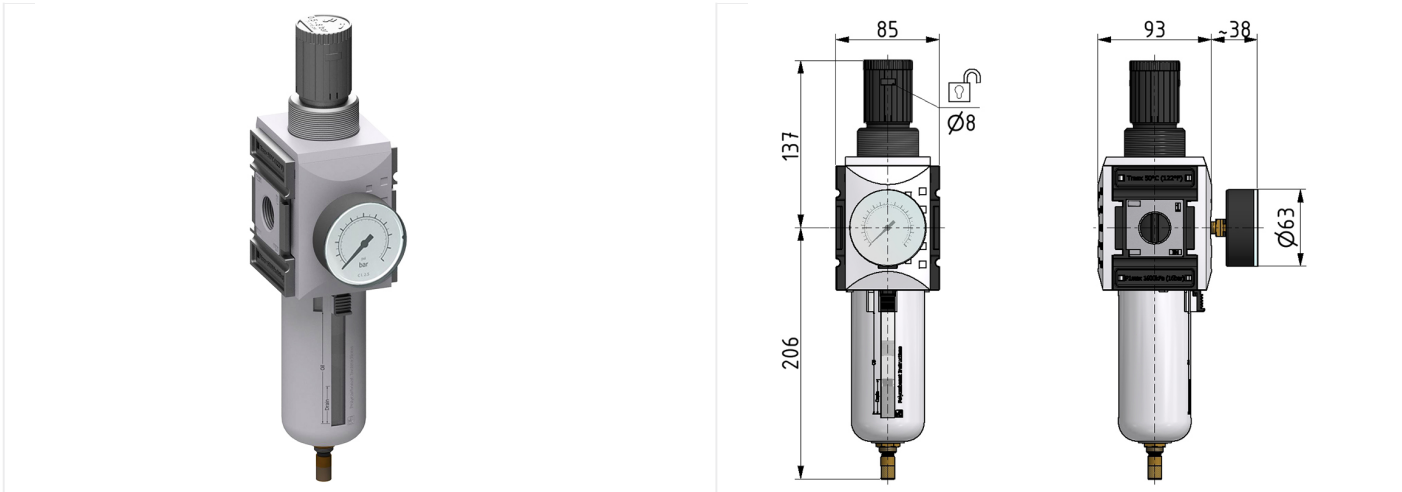
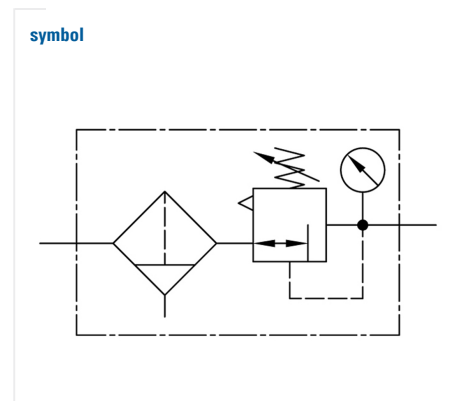
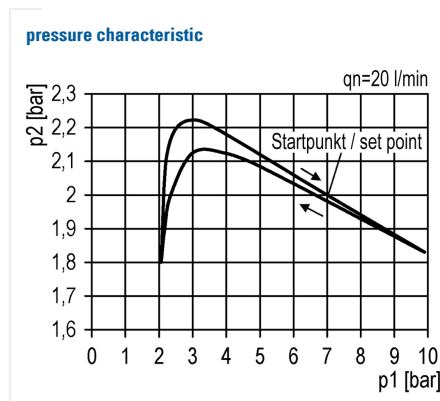
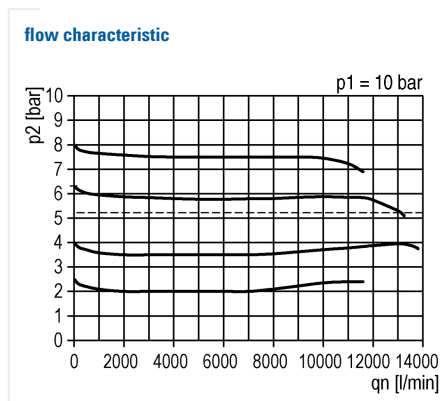


Filter regulator of the Futura series

Filter regulator G1 0,5-8 5µm with PC bowl, bowl guard, automatic drain and gauge G 63.10 R



type	part-number	series	port size	flow rate	adjustment range P2 max.	weight
KFRG-41/8 G AM	92104.GG04	Futura	G 1	13000 l/min	8 bar	1.239 kg



technical data

- **description:** sinter filter centrifugal principle, pilot controlled diaphragm-type pressure with relieving feature
- **medium:** compressed air, neutral gases
- **supply pressure P1 min.:** 1,5 bar
- **supply pressure P1 max.:** 16 bar
- **temperature range:** -10°C - +50°C
- **bowl:** PC with PA bowl guard
- **drain:** AM NO
- **locking:** rotary lock or padlock possible
- **mounting:** vertical
- **filter element:** 5 µm
- **air consumption:** max. 1,5 l/min

accessories



- mounting bracket:
[KBW.4-1225](#)



- coupling kit wall mounting:
[KKOP.4W](#)

- control panel mounting:
control panel nut C.33-42

- rotary lock: VH.31 without key or VH.32 with key