

# microvalvole

microvalves



- Microvalvole a otturatore NC e NA  
*NC and NO poppet microvalves*
- Installazione in qualsiasi posizione  
*Installation in any position*
- Attacchi filettati M5 o raccordi automatici per tubo  $\varnothing 4$   
*M5 threaded ports or push-in fittings for  $\varnothing 4$  tube*
- Bassa forza di azionamento  
*Low actuating force*
- Versione con adattatore (foro  $\varnothing 22$ ) per montaggio a pannello  
*Version with adaptor for panel mounting (with  $\varnothing 22$  hole)*
- Esecuzioni speciali a richiesta  
*Special versions on request*



## Materiali

Corpo: alluminio 11S

Molla: INOX

Guarnizioni: NBR

Parti interne: ottone OT58

## Materials

Body: aluminium 11S

Spring: stainless steel

Seals: NBR

Internal parts: brass OT58

Diametro nominale <i>Nominal orifice</i>	2.5 mm
Portata nominale a 6 bar <i>Nominal flow rate at 6 bar</i>	100 NI/min
Temperatura di esercizio <i>Temperature range</i>	max +60°C
Pressione di esercizio <i>Working pressure</i>	2 ... 10 bar 0.2 ... 1 MPa
Forza di azionamento <i>Actuating force</i>	6 N
Fluido <i>Fluid</i>	Aria filtrata 50 $\mu$ con o senza lubrificazione <i>50<math>\mu</math> filtered, lubricated or non lubricated air</i>

# microvalvole

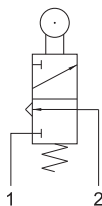
microvalves



## 304 MR

3/2 NC raccordi automatici per tubo  $\varnothing 4$  (sotto),  
leva rullo

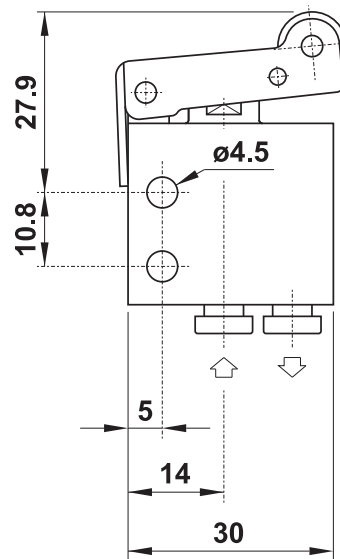
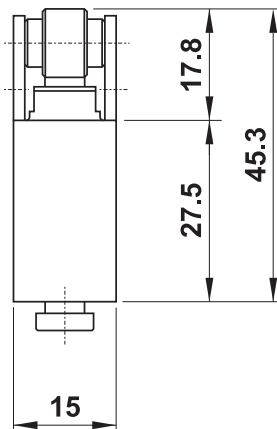
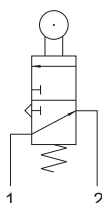
3/2 NC push-in fittings for  $\varnothing 4$  tube (ports on the bottom),  
roller lever



## 314 MR

3/2 NA raccordi automatici per tubo  $\varnothing 4$  (sotto),  
leva rullo

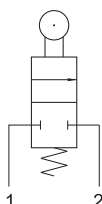
3/2 NO push-in fittings for  $\varnothing 4$  tube (ports on the bottom),  
roller lever



## 204 MR

2/2 NC raccordi automatici per tubo  $\varnothing 4$  (sotto),  
leva rullo

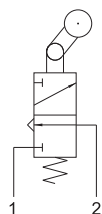
2/2 NC push-in fittings for  $\varnothing 4$  tube (ports on the bottom),  
roller lever



## 304 MS

3/2 NC raccordi automatici per tubo  $\varnothing 4$  (sotto),  
leva unidirezionale

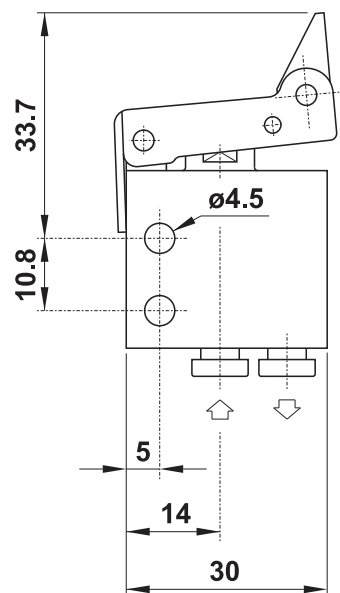
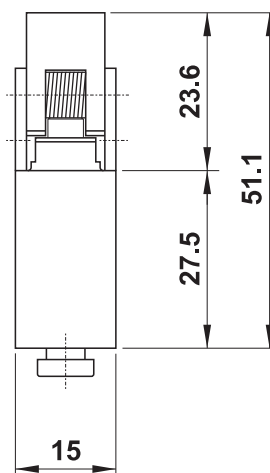
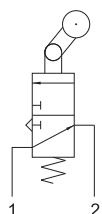
3/2 NC push-in fittings for  $\varnothing 4$  tube (ports on the bottom),  
uni-directional lever



## 314 MS

3/2 NA raccordi automatici per tubo  $\varnothing 4$  (sotto),  
leva unidirezionale

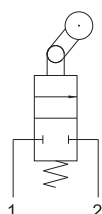
3/2 NO push-in fittings for  $\varnothing 4$  tube (ports on the bottom),  
uni-directional lever



## 204 MS

2/2 NC raccordi automatici per tubo  $\varnothing 4$  (sotto),  
leva unidirezionale

2/2 NC push-in fittings for  $\varnothing 4$  tube (ports on the bottom),  
uni-directional lever

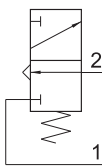




## 304 MB UL

3/2 NC raccordi automatici per tubo  $\varnothing 4$  (lateral),  
interfaccia per attuatore da pannello

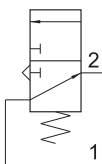
3/2 NC push-in fittings for  $\varnothing 4$  tube (ports on the side),  
actuator adaptor for panel mounting



## 314 MB UL

3/2 NA raccordi automatici per tubo  $\varnothing 4$  (lateral),  
interfaccia per attuatore da pannello

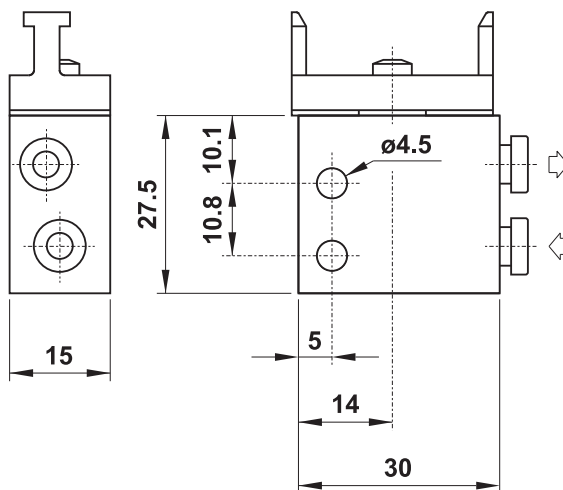
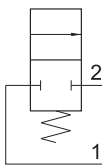
3/2 NO push-in fittings for  $\varnothing 4$  tube (ports on the side),  
actuator adaptor for panel mounting



## 204 MB UL

2/2 NC raccordi automatici per tubo  $\varnothing 4$  (lateral),  
interfaccia per attuatore da pannello

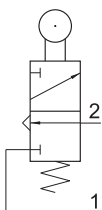
2/2 NC push-in fittings for  $\varnothing 4$  tube (ports on the side),  
actuator adaptor for panel mounting



## 304 MR UL

3/2 NC raccordi automatici per tubo  $\varnothing 4$  (lateral),  
leva rullo

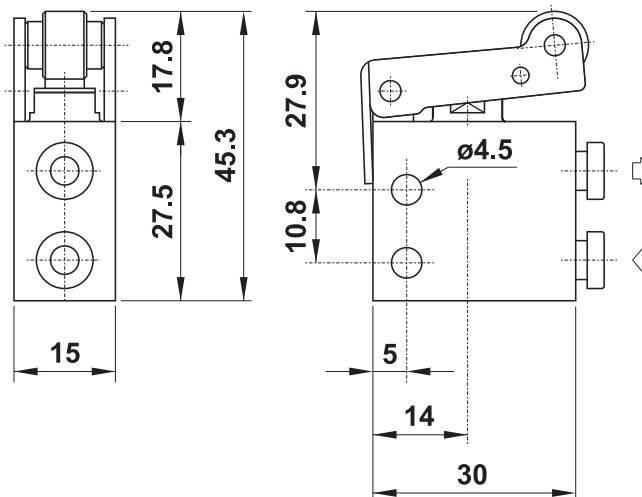
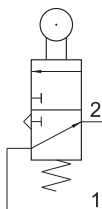
3/2 NC push-in fittings for  $\varnothing 4$  tube (ports on the side),  
roller lever



## 314 MR UL

3/2 NA raccordi automatici per tubo  $\varnothing 4$  (lateral),  
leva rullo

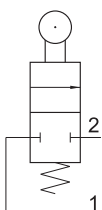
3/2 NO push-in fittings for  $\varnothing 4$  tube (ports on the side),  
roller lever



## 204 MR UL

2/2 NC raccordi automatici per tubo  $\varnothing 4$  (lateral),  
leva rullo

2/2 NC push-in fittings for  $\varnothing 4$  tube (ports on the side),  
roller lever

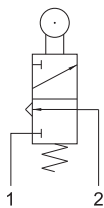




## 305 MR

3/2 NC attacchi filettati M5 (sotto),  
leva rullo

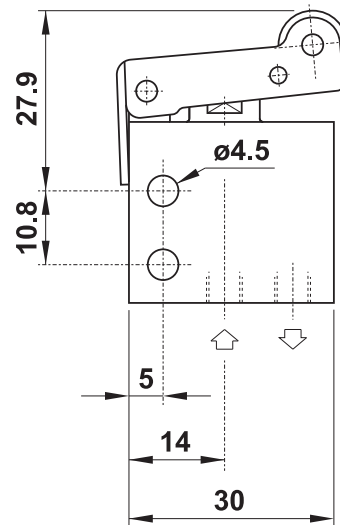
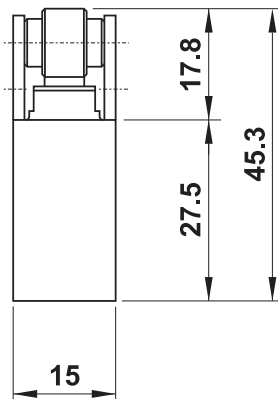
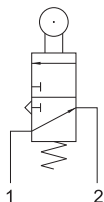
3/2 NC M5 threaded ports (on the bottom),  
roller lever



## 315 MR

3/2 NA attacchi filettati M5 (sotto),  
leva rullo

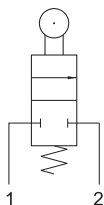
3/2 NO M5 threaded ports (on the bottom),  
roller lever



## 205 MR

2/2 NC attacchi filettati M5 (sotto),  
leva rullo

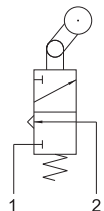
2/2 NC M5 threaded ports (on the bottom),  
roller lever



## 305 MS

3/2 NC attacchi filettati M5 (sotto),  
leva unidirezionale

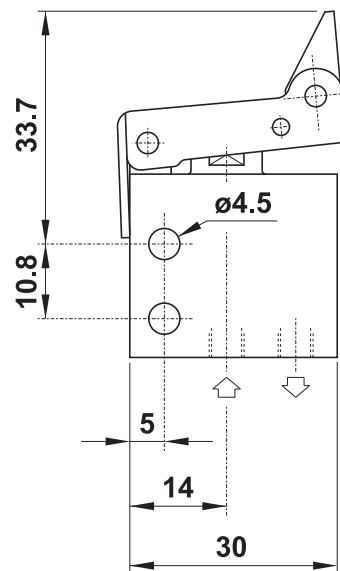
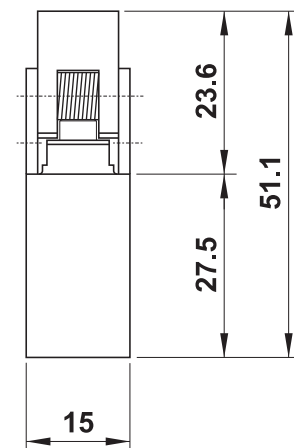
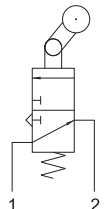
3/2 NC M5 threaded ports (on the bottom),  
uni-directional lever



## 315 MS

3/2 NA attacchi filettati M5 (sotto),  
leva unidirezionale

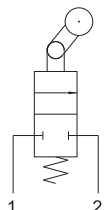
3/2 NO M5 threaded ports (on the bottom),  
uni-directional lever



## 205 MS

2/2 NC attacchi filettati M5 (sotto),  
leva unidirezionale

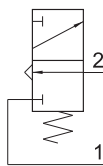
2/2 NC M5 threaded ports (on the bottom),  
uni-directional lever



## 305 MB UL

3/2 NC attacchi filettati M5 (laterali),  
interfaccia per attuatore da pannello

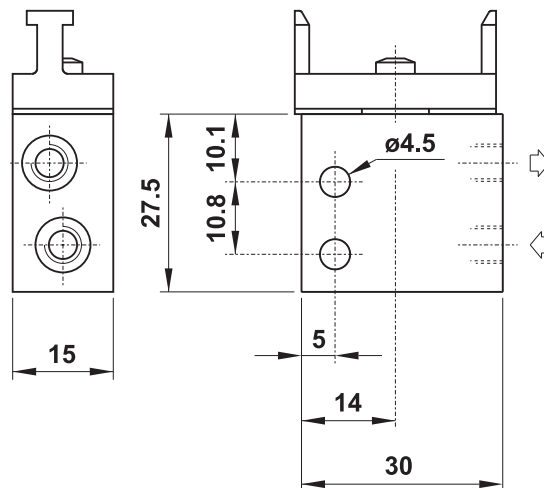
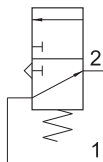
3/2 NC M5 threaded ports (on the side),  
actuator adaptor for panel mounting



## 315 MB UL

3/2 NA attacchi filettati M5 (laterali),  
interfaccia per attuatore da pannello

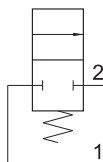
3/2 NO M5 threaded ports (on the side),  
actuator adaptor for panel mounting



## 205 MB UL

2/2 NC attacchi filettati M5 (laterali),  
interfaccia per attuatore da pannello

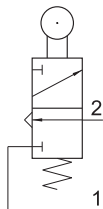
2/2 NC M5 threaded ports (on the side),  
actuator adaptor for panel mounting



## 305 MR UL

3/2 NC attacchi filettati M5 (laterali),  
leva rullo

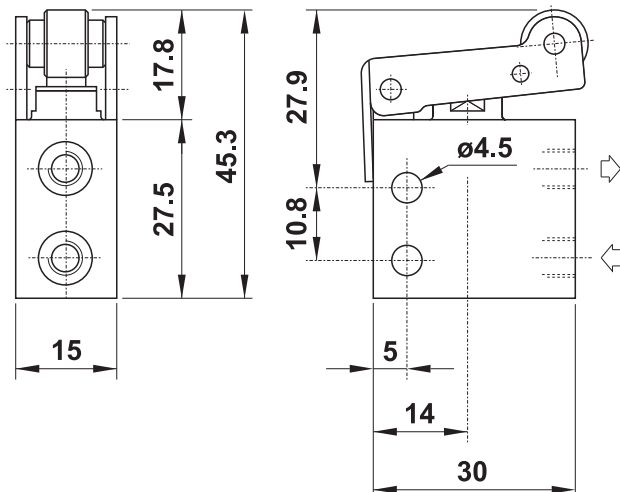
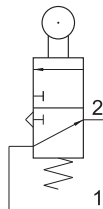
3/2 NC M5 threaded ports (on the side),  
roller lever



## 315 MR UL

3/2 NA attacchi filettati M5 (laterali),  
leva rullo

3/2 NO M5 threaded ports (on the side),  
roller lever



## 205 MR UL

2/2 NC attacchi filettati M5 (laterali),  
leva rullo

2/2 NC M5 threaded ports (on the side),  
roller lever

