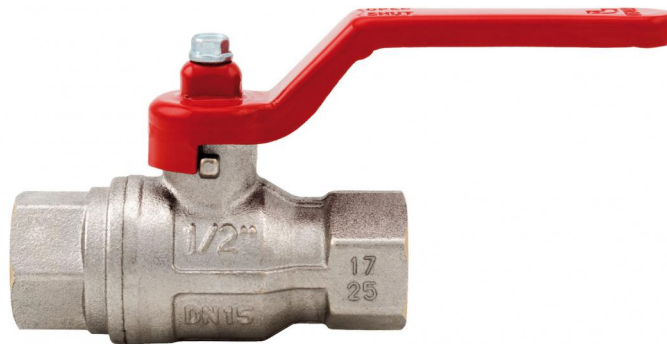




TECHNICAL CATALOGUE

# FULL FLOW BALL VALVES: PARIS



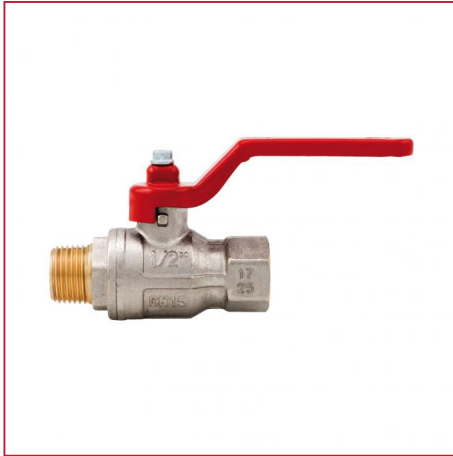


# FULL FLOW BALL VALVES: PARIS

## 081 Paris ball valve, full flow

Suitable for domestic water services, heating and air-conditioning plants, compressed air systems.

PARIS



SIZE	PRESSURE	CODE	PACKING
1/2" (DN 15)	50bar/725psi	081B012	12/72
3/4" (DN 20)	40bar/580psi	081B034	8/48
1" (DN 25)	40bar/580psi	081B100	6/36
1"1/4 (DN 32)	30bar/435psi	081B114	4/20
1"1/2 (DN 40)	30bar/435psi	081B112	2/10
2" (DN 50)	25bar/362.5psi	081B200	2/6
2"1/2 (DN 65)	18bar/261psi	1210212	1/5
3" (DN 80)	16bar/232psi	1210300	1/3
4" (DN 100)	14bar/203psi	1210400	1/2

### CERTIFICATIONS



### TECHNICAL SPECIFICATIONS

Male/female threads.

Lever handle in steel (aluminium in the sizes 2"1/2, 3" and 4").

Body in nickel-plated brass.

Minimum and maximum working temperatures: -20°C, 150°C in absence of steam.

Female threads:

- ISO 7/1 Rp parallel (equivalent to DIN EN 10226-1 and BS EN 10226-1) sizes 1/2" through 2".

- ISO228 (equivalent to DIN EN ISO 228 and BS EN ISO 228) sizes 2"1/2, 3" and 4"

Male threads:

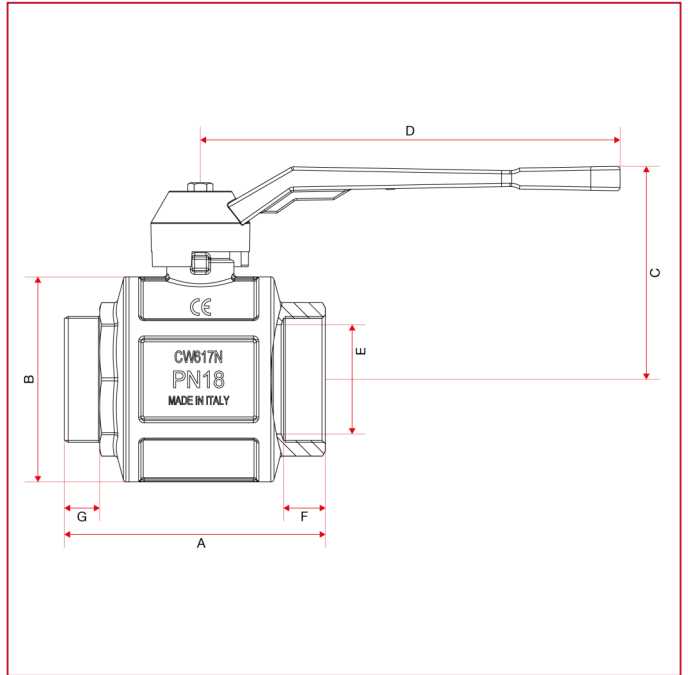
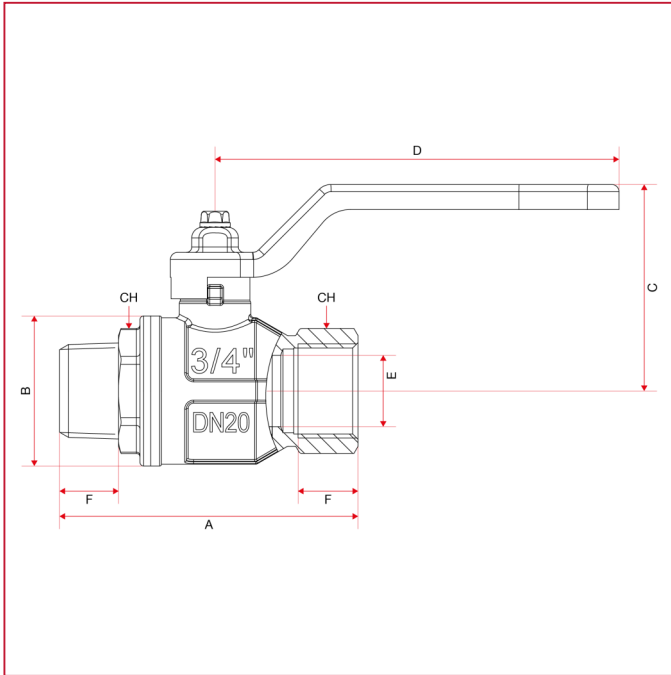
- ISO 7/1 R taper (equivalent to DIN EN 10226-1 and BS EN 10226-1) sizes 1/2" through 2".

- ISO228 (equivalent to DIN EN ISO 228 and BS EN ISO 228) sizes 2"1/2, 3" and 4"



# FULL FLOW BALL VALVES: PARIS

## OVERALL DIMENSIONS

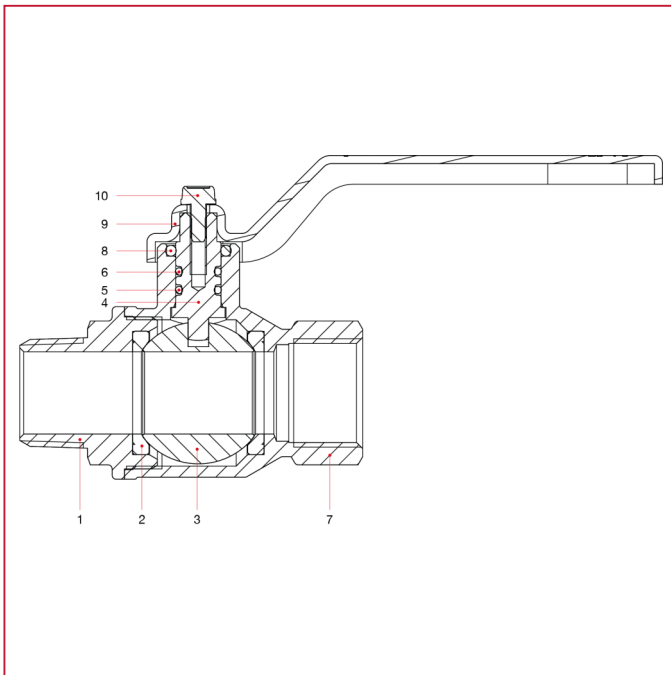


	1/2"	3/4"	1"	1"1/4	1"1/2	2"	2"1/2	3"	4"
DN	15	20	25	32	40	50	65	80	100
A	76,5	83,5	93	110	121	140,5	155,5	178	208
B	32,5	42	49,5	59,5	72	86	122	142	180
C	49	58	61	75	91	98	126,75	135,75	153,75
D	88,5	113	113	138	157,8	157,8	250	250	250
E	15	20	25	32	38	49	63	74	97
F	15	16,3	19,1	21,4	21,4	25,7	25	27,5	30
G	15	16,5	19	21,5	21,5	26	21	24	23
CH	25	31	40	49	54	68,5			
Kg/cm <sup>2</sup> bar	50	40	40	30	30	25	18	16	14
LBS - psi	725	580	580	435	435	362,5	261	232	203



# FULL FLOW BALL VALVES: PARIS

**MATERIALS sizes 1/2" through 2"**

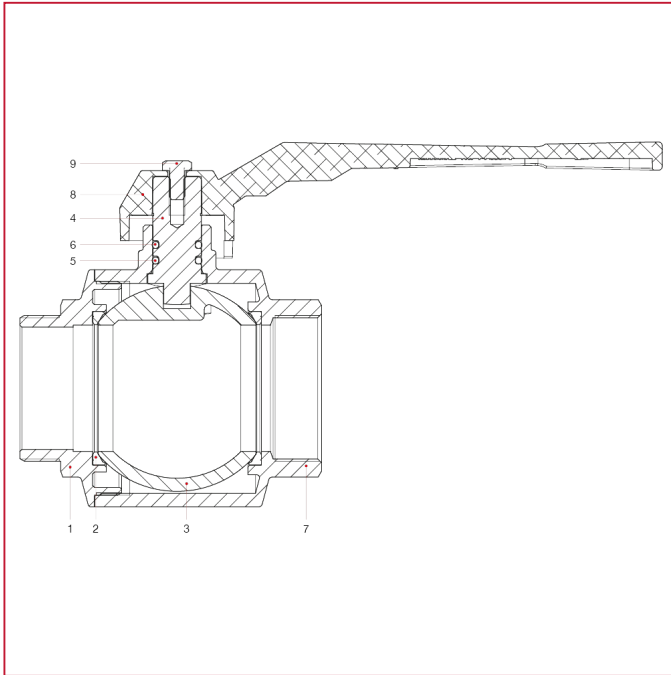


POS.	DESCRIPTION	N.	MATERIAL
1	Male end adapter	1	Nickel-plated brass CW617N
2	Seat	2	P.T.F.E.
3	Ball	1	Chrome-plated brass CW617N
4	Stem	1	Brass CW614N
5	O-ring	1	NBR
6	O-ring	1	Viton®
7	Body	1	Nickel-plated brass CW617N
8	O-ring	1	NBR
9	Lever handle	1	Varnished steel P04
10	Screw	1	Zinc-plated steel C4C



# FULL FLOW BALL VALVES: PARIS

**MATERIALS sizes 2"1/2 through 4"**



POS.	DESCRIPTION	N.	MATERIAL
1	Male end adapter	1	Nickel-plated brass CW617N
2	Seat	2	P.T.F.E.
3	Ball	1	Chrome-plated brass CW617N
4	Stem	1	Brass CW614N
5	O-ring	1	NBR
6	O-ring	1	Viton®
7	Body	1	Nickel-plated brass CW617N
8	Lever	1	Aluminium
9	Screw	1	Zinc-plated CB4 FF (C34)



# FULL FLOW BALL VALVES: PARIS

## INSTALLATION

The itap S.p.A.'s valves are bi-directional, that means they manage the flow in both the directions.

The valves are composed by a ball, two seal in PTFE material, one stem, two sailing rings (O-Rings), one handle and a couple of parts made of brass (body and end adapter) that contain them and that are assembled by means of thread and a sealed material to obtain their aim.

In order to avoid that the sealed material gets broken and then the valve loses the connection between the body and the end-adaptor, it's necessary to avoid to submit the two parts under the influence of a torque.

For the installation normal hydraulic practices must be used, and especially:

- ones have to be sure that the two pipes are correctly aligned;
- during the assembling process the installer has to apply its assembling tools at the end that is nearest to the pipe;
- the application of the sealing materials by the fitter (PTFE or hempen cloth) must be limited at the thread zone. An excess should interfere in the ball-gasket's closure zone, compromising the tightness.
- in the case that the fluid transported presents some impurities (dust, water too hard, etc.) ones have to remove these impurities by the means of a filter. Otherwise they could damage the seals.

## DISASSEMBLY

To remove the valve from the pipe line or anyhow before to unscrew the junctions linked to it:

- wear the clothing protective normally required to work with the fluid transported within the line;
- depressurize the line and operate in this way:
  - positioning the valve in opened position and then empty the line;
  - handle the valve to put down the residue pressure contained inside the space between the ball and the body before of remove it from the line;
- during the disassembly apply the screw tool at the end of the valve nearest the pipe;

## MAINTENANCE

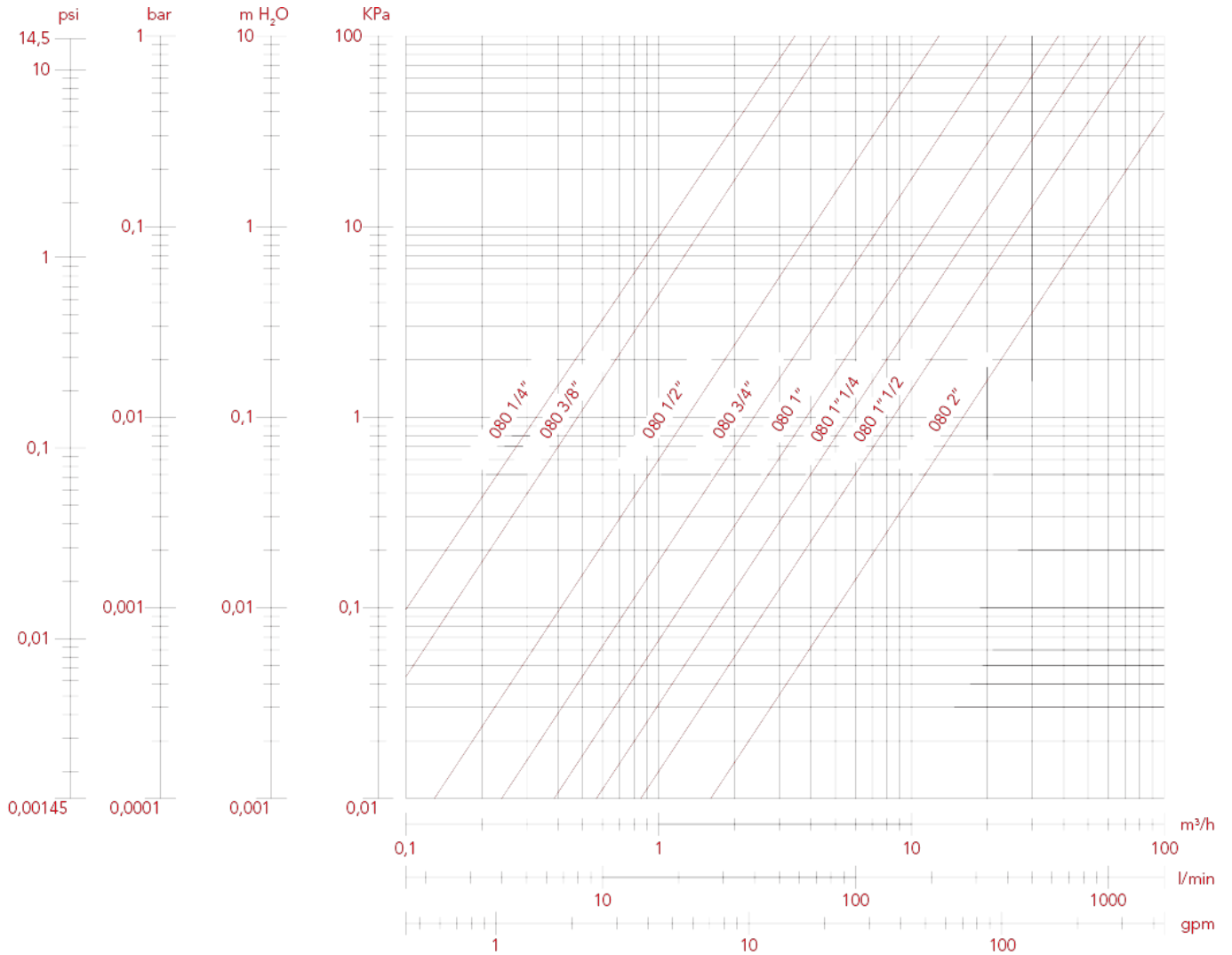
Verify the valve periodically, according to its application's field and its works' field and its work's conditions, in order to be sure that the valve works correctly.



# FULL FLOW BALL VALVES: PARIS

## LOSS DIAGRAM (With water) size 1/2" through 2"

	1/2"	3/4"	1"	1"1/4"	1"1/2"	2"	2"1/2"	3"	4"
KV	12,98	23,92	38,57	56,81	85	159	376	472	892

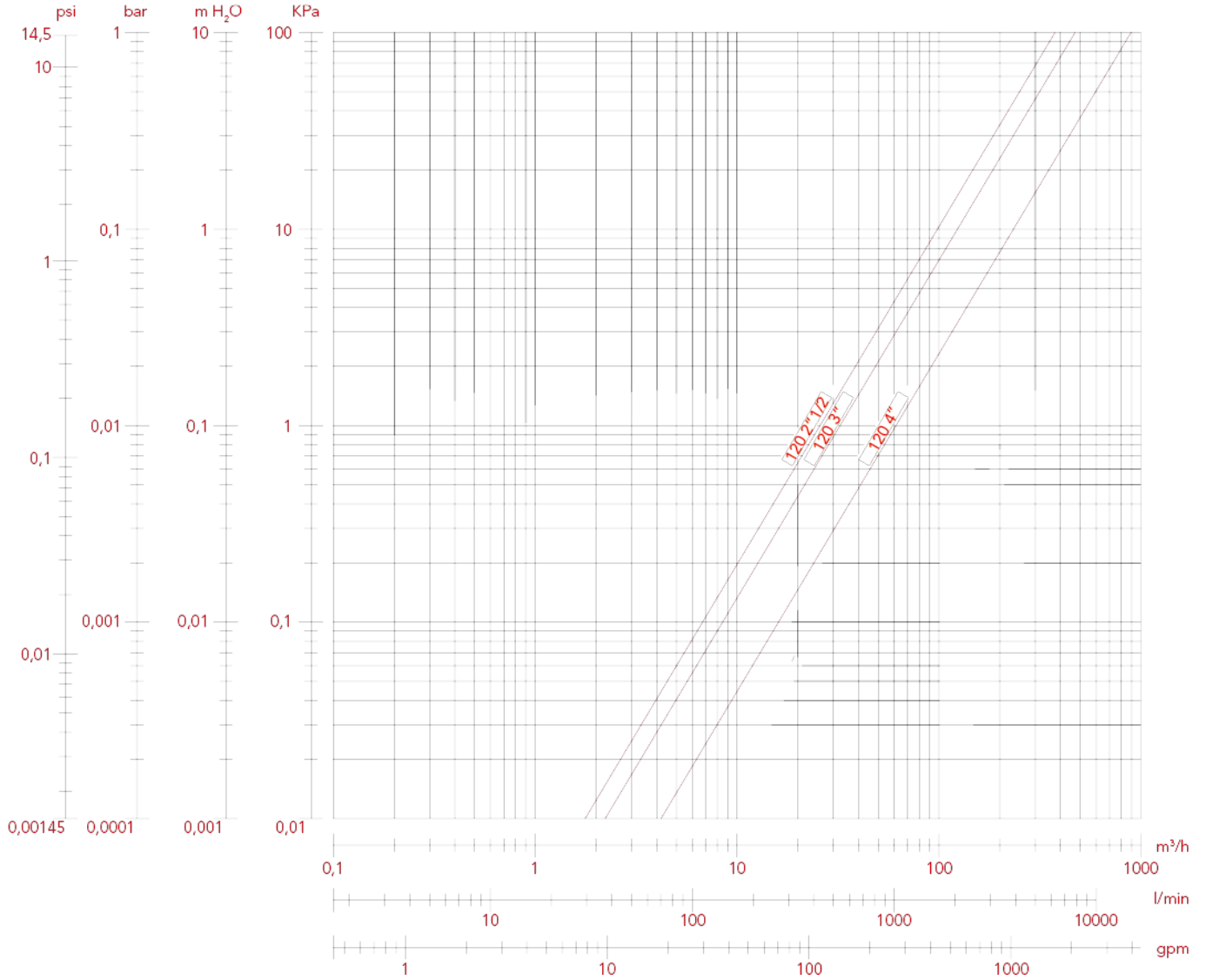




# FULL FLOW BALL VALVES: PARIS

## LOSS DIAGRAM (With water) size 2"1/2 through 4"

KV	1/2"	3/4"	1"	1"1/4"	1"1/2"	2"	2"1/2"	3"	4"
	12,98	23,92	38,57	56,81	85	159	376	472	892







# FULL FLOW BALL VALVES: PARIS

## PRESSURE-TEMPERATURE DIAGRAM

The values shown by the dropping lines state the maximum limit of employment of the valves.  
The shown values are approximate.

