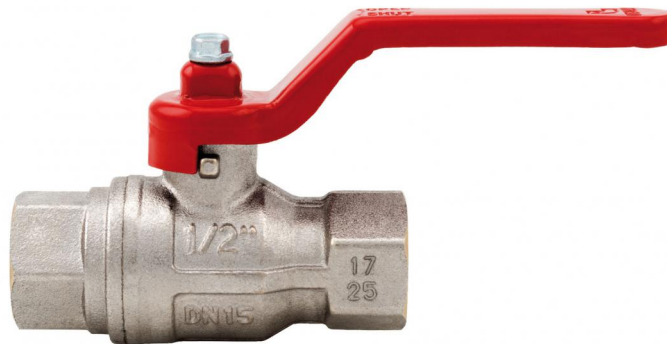




TECHNICAL CATALOGUE

# FULL FLOW BALL VALVES: PARIS





# FULL FLOW BALL VALVES: PARIS

## 082 Paris ball valve, full flow

Suitable for domestic water services, heating and air-conditioning plants, compressed air systems.

PARIS



SIZE	PRESSURE	CODE	PACKING
1/2" (DN 15)	50bar/725psi	082B012	12/84
3/4" (DN 20)	40bar/580psi	082B034	8/56
1" (DN 25)	40bar/580psi	082B100	8/40

### CERTIFICATIONS



### TECHNICAL SPECIFICATIONS

Female/female threads.

T handle in aluminium.

Body in nickel-plated brass.

Minimum and maximum working temperatures: -20°C, 150°C in absence of steam.

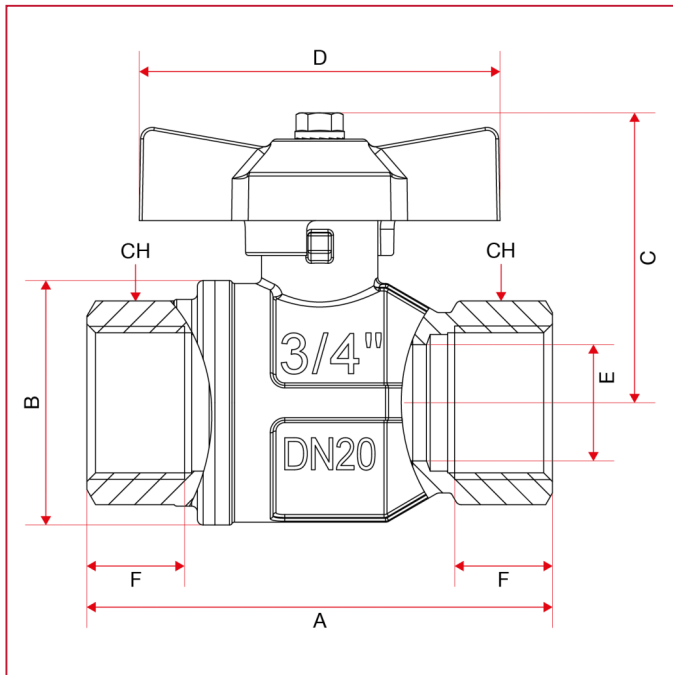
Female threads:

- ISO 7/1 Rp parallel (equivalent to DIN EN 10226-1 and BS EN 10226-1) sizes 1/2" through 1".



# FULL FLOW BALL VALVES: PARIS

## OVERALL DIMENSIONS

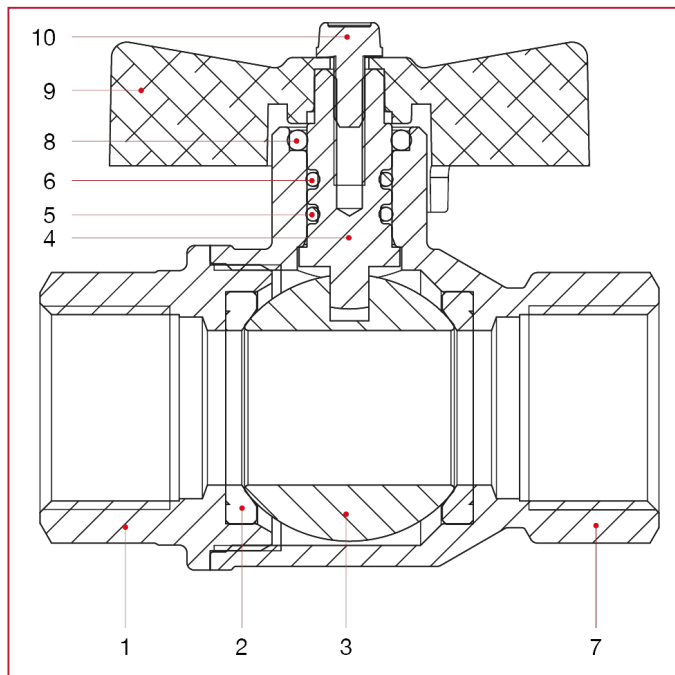


	1/2"	3/4"	1"
DN	15	20	25
A	75	80	90
B	32,5	42	49,5
C	44	50	53
D	54	62	62
E	15	20	25
F	15	16,3	19,1
CH	25	31	40
Kg/cm <sup>2</sup> bar	50	40	40
LBS - psi	725	580	580



# FULL FLOW BALL VALVES: PARIS

## MATERIALS



POS.	DESCRIPTION	N.	MATERIAL
1	Female end adapter	1	Nickel-plated brass CW617N
2	Seat	2	P.T.F.E.
3	Ball	1	Chrome-plated brass CW617N
4	Stem	1	Brass CW614N
5	O-ring	1	NBR
6	O-ring	1	Viton®
7	Body	1	Nickel-plated brass CW617N
8	O-ring	1	NBR
9	T handle	1	Varnished aluminium
10	Screw	1	Zinc-plated steel C4C





# FULL FLOW BALL VALVES: PARIS

## INSTALLATION

The itap S.p.A.'s valves are bi-directional, that means they manage the flow in both the directions.

The valves are composed by a ball, two seal in PTFE material, one stem, two sailing rings (O-Rings), one handle and a couple of parts made of brass (body and end adapter) that contain them and that are assembled by means of thread and a sealed material to obtain their aim.

In order to avoid that the sealed material gets broken and then the valve loses the connection between the body and the end-adapter, it's necessary to avoid to submit the two parts under the influence of a torque.

For the installation normal hydraulic practices must be used, and especially:

- ones have to be sure that the two pipes are correctly aligned;
- during the assembling process the installer has to apply its assembling tools at the end that is nearest to the pipe;
- the application of the sealing materials by the fitter (PTFE or hempen cloth) must be limited at the thread zone. An excess should interfere in the ball-gasket's closure zone, compromising the tightness.
- in the case that the fluid transported presents some impurities (dust, water too hard, etc.) ones have to remove these impurities by the means of a filter. Otherwise they could damage the seals.

## DISASSEMBLY

To remove the valve from the pipe line or anyhow before to unscrew the junctions linked to it:

- wear the clothing protective normally required to work with the fluid transported within the line;
- depressurize the line and operate in this way:
  - positioning the valve in opened position and then empty the line;
  - handle the valve to put down the residue pressure contained inside the space between the ball and the body before of remove it from the line;
- during the disassembly apply the screw tool at the end of the valve nearest the pipe;

## MAINTENANCE

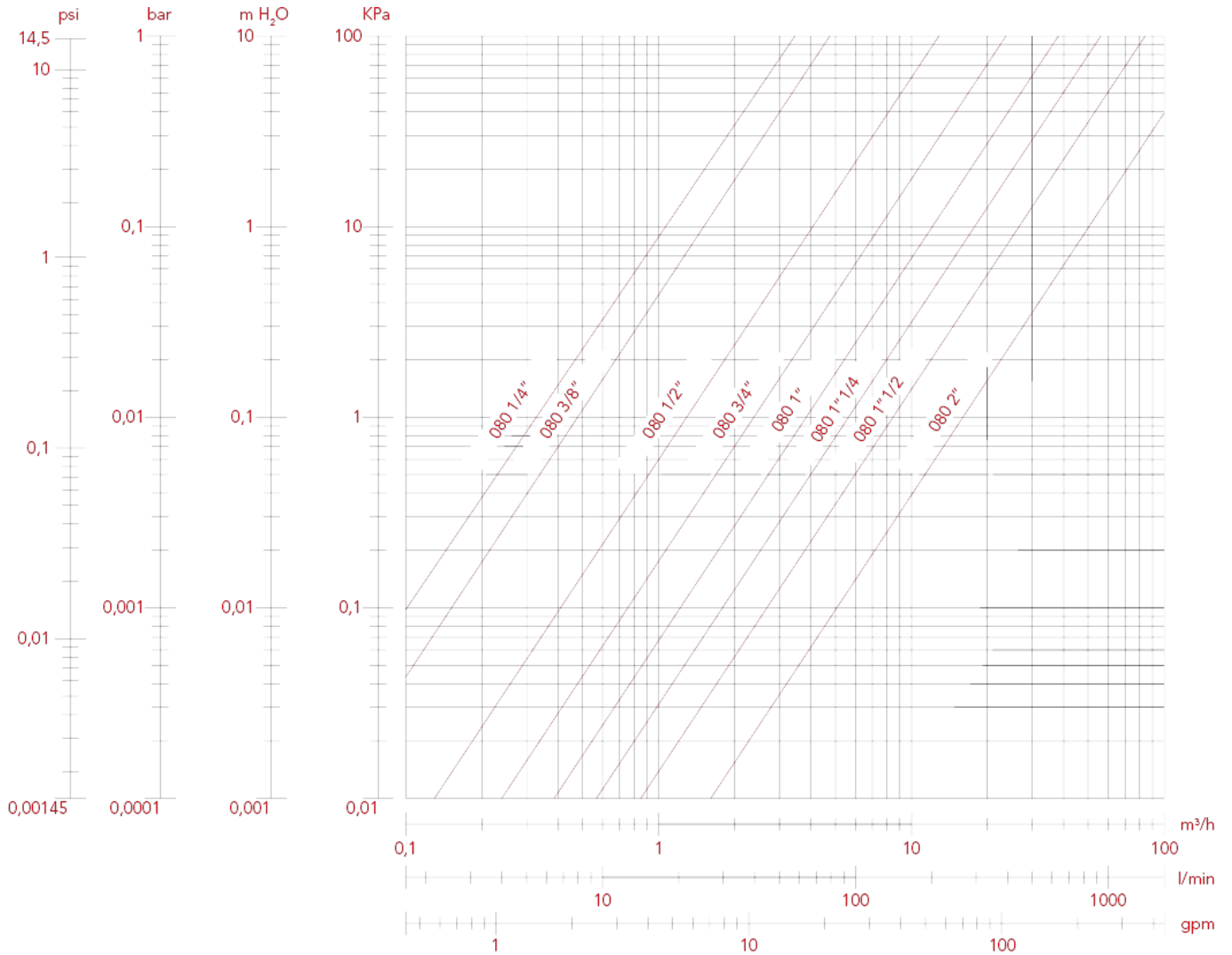
Verify the valve periodically, according to its application's field and its works' field and its work's conditions, in order to be sure that the valve works correctly.



# FULL FLOW BALL VALVES: PARIS

## LOSS DIAGRAM (With water)

	1/2"	3/4"	1"
KV	12,98	23,92	38,57





# FULL FLOW BALL VALVES: PARIS

## PRESSURE-TEMPERATURE DIAGRAM

The values shown by the dropping lines state the maximum limit of employment of the valves.  
The shown values are approximate.

