

Application & Feature

- One-touch joints used in the food and chemical industry.
- Used for a wide variety of models to meet all needs.
- Suitable for use in hot fluids and environments.
- Excellent in chemical resistance and a product made of suitable material for use in chemical and pharmaceutical industries.
- Stainless steel body having high strength and excellent durability.
- Easy to connect/disconnect tube by one touch.
- Flexible for directional tube laying given its revolving construction of body.
- The parts are washed, assembled and packed in a clean room.

Specification

Fluid	Water, Air, OIL, Steam	
Working Pressure Range	0~290psi	0~20kgf/cm ² (0~2MPa)
Temperature Range	-4°F~302°F	-20~200°C
Applicable Tube Material	Plastic pipe / tube	

Produce Code System

PL	08	02
①	②	③

① TYPE

② Tube Dia (øD)

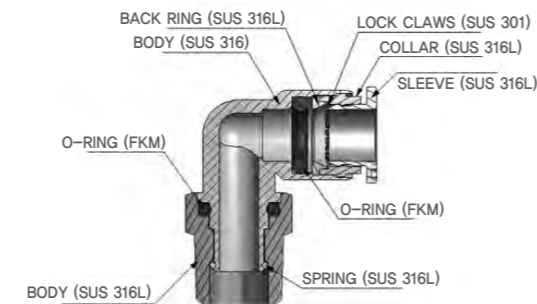
Code	04	06	08	10	12
Dia	ø4	ø6	ø8	ø10	ø12

③ Thread Size *Metric Thread & R(PT) Thread

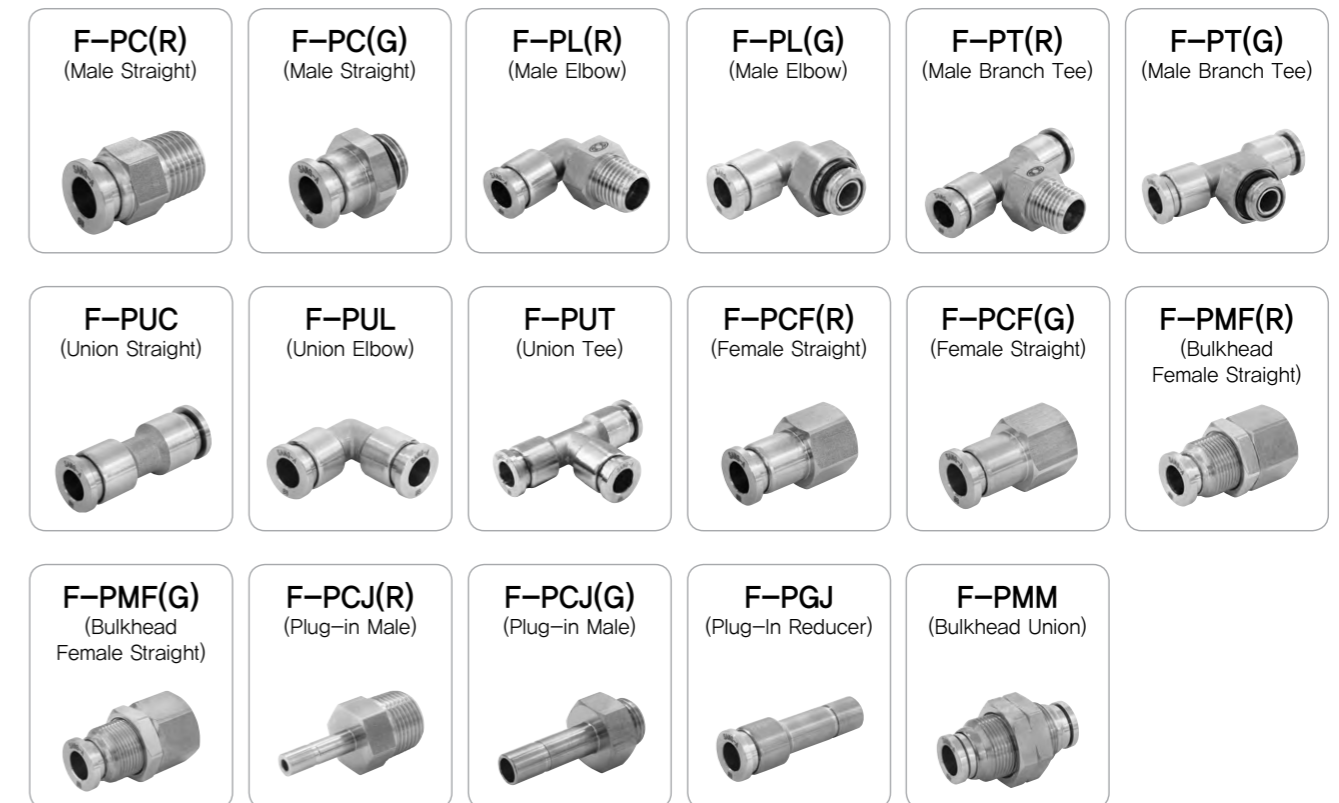
	Metric size	Taper Pipe Thread			
Code	M5	01	02	03	04
Size	M5x0.8	R1/8	R1/4	R3/8	R1/2

	Parallel Thread			
Code	G01	G02	G03	G04
Size	G1/8	G1/4	G3/8	G1/2

Structural Diagram



Stainless Steel 316 Fittings

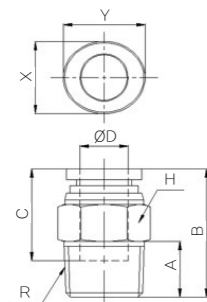


CAUTION

1. Avoid randomly product change.
2. Never over pushing to assemble product, it may cause damage.
3. Please check leakage before built.

F-PC(R)

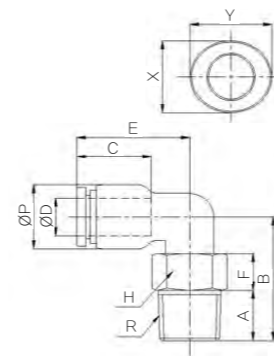
(Male Straight)



CODE	MODEL	ØD	A	B	C	H	R	X	Y	W.G(g)	Q'ty/ inbox	(mm)
96010402	F-PC 04M5	4.0	4.0	20.4	14.9	10.0	M5	8.6	10.5	8.7	50	
96010411	F-PC 0401	4.0	8.0	22.5	14.9	10.0	PT1/8	8.6	10.5	11.6	50	
96010602	F-PC 06M5	6.0	4.0	21.7	15.8	13.0	M5	11.0	12.5	14.4	50	
96010611	F-PC 0601	6.0	8.0	22.3	15.8	13.0	PT1/8	11.0	12.5	15.2	50	
96010612	F-PC 0602	6.0	11.0	25.3	15.8	14.0	PT1/4	11.0	12.5	23.4	50	
96010811	F-PC 0801	8.0	8.0	26.7	17.8	14.0	PT1/8	13.0	14.5	16.8	50	
96010812	F-PC 0802	8.0	11.0	26.2	17.8	14.0	PT1/4	13.0	14.5	20.8	50	
96011012	F-PC 1002	10.0	11.0	32.7	19.8	17.0	PT1/4	16.0	17.5	31.7	40	
96011013	F-PC 1003	10.0	12.0	27.7	19.8	17.0	PT3/8	16.0	17.5	31.8	25	
96011213	F-PC 1203	12.0	12.0	31.3	22.4	20.0	PT3/8	19.5	21.5	41.3	25	
96011214	F-PC 1204	12.0	15.0	32.3	22.4	21.0	PT1/2	19.5	21.5	56.7	25	

F-PL(R)

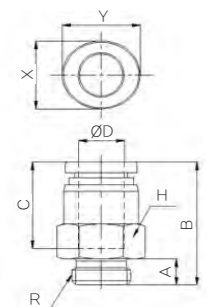
(Male Elbow)



CODE	MODEL	ØD	ØP	A	B	C	E	F	R	X	Y	W.G(g)	Q'ty/ inbox	(mm)
96020402	F-PL 04M5	4.0	10.0	4.0	18.0	14.9	19.0	8.0	M5	8.6	10.5	13.2	50	
96020411	F-PL 0401	4.0	10.0	8.0	22.0	14.9	19.0	8.0	PT1/8	8.6	10.5	17.7	50	
96020602	F-PL 06M5	6.0	13.0	4.0	18.0	15.8	21.3	8.0	M5	11.0	12.5	20.3	50	
96020611	F-PL 0601	6.0	13.0	8.0	23.5	15.8	21.3	8.0	PT1/8	11.0	12.5	24.1	50	
96020612	F-PL 0602	6.0	13.0	11.0	26.5	15.8	21.3	8.0	PT1/4	11.0	12.5	32.3	40	
96020811	F-PL 0801	8.0	14.0	8.0	24.0	17.8	24.7	8.0	PT1/8	13.0	14.5	27.8	40	
96020812	F-PL 0802	8.0	14.0	11.0	27.0	17.8	24.7	8.0	PT1/4	13.0	14.5	34.5	40	
96021012	F-PL 1002	10.0	16.7	11.0	28.0	19.8	26.7	8.0	PT1/4	16.0	17.5	45.4	20	
96021013	F-PL 1003	10.0	16.7	12.0	29.0	19.8	26.7	8.0	PT3/8	16.0	17.5	53.5	20	
96021213	F-PL 1203	12.0	19.7	12.0	30.5	22.4	29.3	8.0	PT3/8	19.5	21.5	68.9	20	
96021214	F-PL 1204	12.0	19.7	15.0	33.5	22.4	29.3	8.0	PT1/2	19.5	21.5	87.4	20	

F-PC(G)

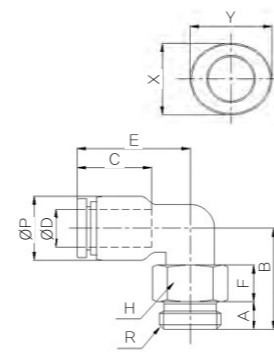
(Male Straight)



CODE	MODEL	ØD	A	B	C	H	R	X	Y	W.G(g)	Q'ty/ inbox	(mm)
96010431	F-PC 04G01	4.0	5.3	19.8	14.9	14.0	PF1/8	8.6	10.5	13.3	50	
96010631	F-PC 06G01	6.0	5.3	23.1	15.8	14.0	PF1/8	11.0	12.5	16.4	50	
96010632	F-PC 06G02	6.0	6.0	20.3	15.8	17.0	PF1/4	11.0	12.5	22.5	50	
96010831	F-PC 08G01	8.0	5.3	25.5	17.8	14.0	PF1/8	13.0	14.5	17.5	50	
96010832	F-PC 08G02	8.0	6.0	21.7	17.8	17.0	PF1/4	13.0	14.5	21.0	50	
96011032	F-PC 10G02	10.0	6.0	28.2	19.8	17.0	PF1/4	16.0	17.5	27.6	40	
96011033	F-PC 10G03	10.0	7.0	24.7	19.8	21.0	PF3/8	16.0	17.5	34.6	25	
96011233	F-PC 12G03	12.0	7.0	31.8	22.4	21.0	PF3/8	19.5	21.5	45.5	25	
96011234	F-PC 12G04	12.0	8.5	28.8	22.4	24.0	PF1/2	19.5	21.5	53.9	25	

F-PL(G)

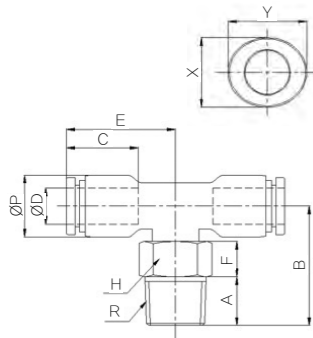
(Male Elbow)



CODE	MODEL	ØD	ØP	A	B	C	E	F	R	X	Y	W.G(g)	Q'ty/ inbox	(mm)
96020431	F-PL 04G01	4.0	10.0	5.3	19.3	14.9	19.0	8.0	PF1/8	8.6	10.5	19.0	50	
96020631	F-PL 06G01	6.0	13.0	5.3	20.8	15.8	21.3	8.0	PF1/8	11.0	12.5	25.4	50	
96020632	F-PL 06G02	6.0	13.0	6.0	21.5	15.8	21.3	8.0	PF1/4	11.0	12.5	33.5	40	
96020831	F-PL 08G01	8.0	14.0	5.3	21.3	17.8	24.7	8.0	PF1/8	13.0	14.5	29.1	40	
96020832	F-PL 08G02	8.0	14.0	6.0	22.0	17.8	24.7	8.0	PF1/4	13.0	14.5	35.8	40	
96021032	F-PL 10G02	10.0	16.7	6.0	23.0	19.8	26.7	8.0	PF1/4	16.0	17.5	46.7	20	
96021033	F-PL 10G03	10.0	16.7	7.0	24.0	19.8	26.7	8.0	PF3/8	16.0	17.5	53.1	20	
96021233	F-PL 12G03	12.0	19.7	7.0	25.5	22.4	29.3	8.0	PF3/8	19.5	21.5	68.6	20	
96021234	F-PL 12G04	12.0	19.7	8.5	27.0	22.4	29.3	8.0	PF1/2	19.5	21.5	81.7	20	

F-PT(R)

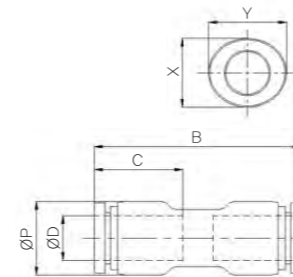
(Male Branch Tee)



CODE	MODEL	ØD	ØP	A	B	C	E	F	R	X	Y	W.G(g)	Q'ty/ inbox	(mm)
96030411	F-PT 0401	4.0	10.0	8.0	22.0	14.9	19.0	8.0	PT1/8	8.6	10.5	25.1	50	
96030611	F-PT 0601	6.0	13.0	8.0	23.5	15.8	21.3	8.0	PT1/8	11.0	12.5	35.5	40	
96030612	F-PT 0602	6.0	13.0	11.0	26.5	15.8	21.3	8.0	PT1/4	11.0	12.5	43.7	40	
96030811	F-PT 0801	8.0	14.0	8.0	24.0	17.8	24.7	8.0	PT1/8	13.0	14.5	40.7	40	
96030812	F-PT 0802	8.0	14.0	11.0	27.0	17.8	24.7	8.0	PT1/4	13.0	14.5	47.6	25	
96031012	F-PT 1002	10.0	16.7	11.0	28.0	19.8	26.7	8.0	PT1/4	16.0	17.5	64.9	20	
96031013	F-PT 1003	10.0	16.7	12.0	29.0	19.8	26.7	8.0	PT3/8	16.0	17.5	72.0	20	
96031213	F-PT 1203	12.0	19.7	12.0	30.5	22.4	29.3	8.0	PT3/8	19.5	21.5	95.7	15	
96031214	F-PT 1204	12.0	19.7	15.0	33.5	22.4	29.3	8.0	PT1/2	19.5	21.5	114.9	15	

F-PUC

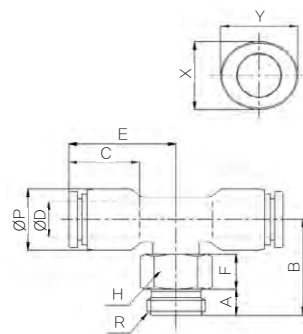
(Union Straight)



CODE	MODEL	ØD	ØP	B	C	X	Y	W.G(g)	Q'ty/ inbox	(mm)
96040400	F-PUC 04	4.0	10.0	35.0	14.9	8.6	10.5	14.5	50	
96040600	F-PUC 06	6.0	13.0	37.5	15.8	11.0	12.5	24.1	40	
96040800	F-PUC 08	8.0	14.0	43.4	17.8	13.0	14.5	27.8	40	
96041000	F-PUC 10	10.0	16.7	47.4	19.8	16.0	17.5	41.2	25	
96041200	F-PUC 12	12.0	19.7	51.6	22.4	19.5	21.5	61.1	20	

F-PT(G)

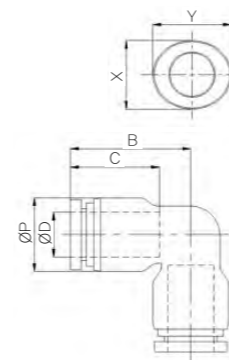
(Male Branch Tee)



CODE	MODEL	ØD	ØP	A	B	C	E	F	R	X	Y	W.G(g)	Q'ty/ inbox	(mm)
96030431	F-PT 04G01	4.0	10.0	8.0	22.0	14.9	19.0	8.0	PF1/8	8.6	10.5	26.3	50	
96030631	F-PT 06G01	6.0	13.0	8.0	23.5	15.8	21.3	8.0	PF1/8	11.0	12.5	36.8	40	
96030632	F-PT 06G02	6.0	13.0	11.0	26.5	15.8	21.3	8.0	PF1/4	11.0	12.5	45.0	40	
96030831	F-PT 08G01	8.0	14.0	8.0	24.0	17.8	24.7	8.0	PF1/8	13.0	14.5	42.0	40	
96030832	F-PT 08G02	8.0	14.0	11.0	27.0	17.8	24.7	8.0	PF1/4	13.0	14.5	48.9	25	
96031032	F-PT 10G02	10.0	16.7	11.0	28.0	19.8	26.7	8.0	PF1/4	16.0	17.5	66.2	20	
96031033	F-PT 10G03	10.0	16.7	12.0	29.0	19.8	26.7	8.0	PF3/8	16.0	17.5	71.7	20	
96031233	F-PT 12G03	12.0	19.7	12.0	30.5	22.4	29.3	8.0	PF3/8	19.5	21.5	95.4	15	
96031234	F-PT 12G04	12.0	19.7	15.0	33.5	22.4	29.3	8.0	PF1/2	19.5	21.5	109.2	15	

F-PUL

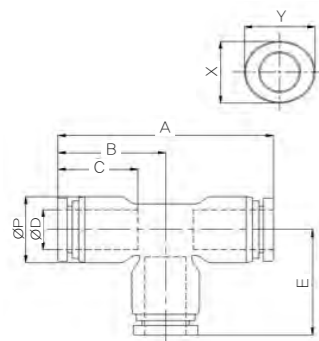
(Union Elbow)



CODE	MODEL	ØD	ØP	B	C	X	Y	W.G(g)	Q'ty/ inbox	(mm)
96050400	F-PUL 04	4.0	10.0	19.0	14.9	8.6	10.5	15.1	50	
96050600	F-PUL 06	6.0	13.0	21.3	15.8	11.0	12.5	25.7	40	
96050800	F-PUL 08	8.0	14.0	24.7	17.8	13.0	14.5	30.2	40	
96051000	F-PUL 10	10.0	16.7	26.7	19.8	16.0	17.5	44.7	25	
96051200	F-PUL 12	12.0	19.7	29.3	22.4	19.5	21.5	66.1	20	

F-PUT

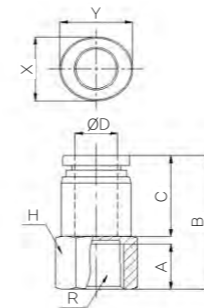
(Union Tee)



CODE	MODEL	ØD	ØP	A	B	C	E	X	Y	W.G(g)	Q'ty/ inbox	(mm)
96060400	F-PUT 04	4.0	10.0	38.0	19.0	14.9	19.0	8.6	10.5	22.0	50	
96060600	F-PUT 06	6.0	13.0	42.5	21.3	15.8	21.3	11.0	12.5	37.2	40	
96060800	F-PUT 08	8.0	14.0	49.4	24.7	17.8	24.7	13.0	14.5	43.3	30	
96061000	F-PUT 10	10.0	16.7	53.4	26.7	19.8	26.7	16.0	17.5	63.3	20	
96061200	F-PUT 12	12.0	19.7	58.6	29.3	22.4	29.3	19.5	21.5	93.6	15	

F-PCF(G)

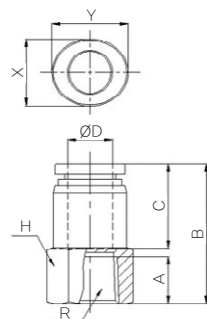
(Female Straight)



CODE	MODEL	ØD	A	B	C	H	R	X	Y	W.G(g)	Q'ty/ inbox	(mm)
96230441	F-PCF 04G01	4.0	9.0	24.8	14.9	13.0	PT1/8	8.6	10.5	14.8	50	
96230641	F-PCF 06G01	6.0	9.0	25.8	15.8	13.0	PT1/8	11.0	12.5	19.1	50	
96230642	F-PCF 06G02	6.0	12.0	28.8	15.8	17.0	PT1/4	11.0	12.5	28.4	40	
96230841	F-PCF 08G01	8.0	9.0	27.7	17.8	14.0	PT1/8	13.0	14.5	21.8	40	
96230842	F-PCF 08G02	8.0	12.0	30.7	17.8	17.0	PT1/4	13.0	14.5	29.2	40	
96231042	F-PCF 10G02	10.0	12.0	32.7	19.8	17.0	PT1/4	16.0	17.5	35.0	40	
96231043	F-PCF 10G03	10.0	13.0	33.7	19.8	19.0	PT3/8	16.0	17.5	36.2	20	
96231243	F-PCF 12G03	12.0	13.0	36.3	22.4	20.0	PT3/8	19.5	21.5	50.3	20	
96231244	F-PCF 12G04	12.0	16.0	39.3	22.4	24.0	PT1/2	19.5	21.5	63.5	20	

F-PCF(R)

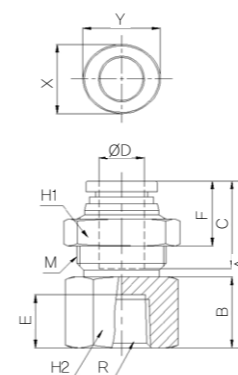
(Female Straight)



CODE	MODEL	ØD	A	B	C	H	R	X	Y	W.G(g)	Q'ty/ inbox	(mm)
96230421	F-PCF 0401	4.0	9.0	24.8	14.9	13.0	PT1/8	8.6	10.5	15.1	50	
96230621	F-PCF 0601	6.0	9.0	25.8	15.8	13.0	PT1/8	11.0	12.5	19.4	50	
96230622	F-PCF 0602	6.0	12.0	28.8	15.8	17.0	PT1/4	11.0	12.5	29.0	40	
96230821	F-PCF 0801	8.0	9.0	27.7	17.8	14.0	PT1/8	13.0	14.5	22.1	40	
96230822	F-PCF 0802	8.0	12.0	30.7	17.8	17.0	PT1/4	13.0	14.5	29.8	40	
96231022	F-PCF 1002	10.0	12.0	32.7	19.8	17.0	PT1/4	16.0	17.5	35.6	40	
96231023	F-PCF 1003	10.0	13.0	33.7	19.8	19.0	PT3/8	16.0	17.5	37.2	20	
96231223	F-PCF 1203	12.0	13.0	36.3	22.4	20.0	PT3/8	19.5	21.5	51.2	20	
96231224	F-PCF 1204	12.0	16.0	39.3	22.4	24.0	PT1/2	19.5	21.5	65.4	20	

F-PMF(R)

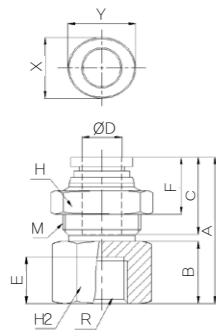
(Bulkhead Female Straight)



CODE	MODEL	ØD	M	A	B	C	E	F	H1	H2	R	X	Y	W.G(g)	Q'ty/ inbox	(mm)
96200421	F-PMF 0401	4.0	M12X1	25.5	11.0	14.9	9.0	10.6	14.0	14.0	PT1/8	8.6	10.5	24.1	50	
96200621	F-PMF 0601	6.0	M15X1	26.8	9.0	15.8	9.0	11.3	17.0	17.0	PT1/8	11.0	12.5	35.3	40	
96200622	F-PMF 0602	6.0	M15X1	31.8	14.0	15.8	12.0	11.3	17.0	17.0	PT1/4	11.0	12.5	39.7	40	
96200821	F-PMF 0801	8.0	M17X1	30.4	9.0	17.8	9.0	13.8	19.0	19.0	PT1/8	13.0	14.5	48.6	40	
96200822	F-PMF 0802	8.0	M17X1	35.4	14.0	17.8	12.0	13.8	19.0	19.0	PT1/4	13.0	14.5	55.3	40	
96201022	F-PMF 1002	10.0	M20X1	32.7	13.0	19.8	12.0	14.4	22.0	22.0	PT1/4	16.0	17.5	73.0	40	
96201023	F-PMF 1003	10.0	M20X1	34.7	15.0	19.8	13.0	14.4	22.0	22.0	PT3/8	16.0	17.5	71.2	20	
96201223	F-PMF 1203	12.0	M24X1	37.4	14.0	22.4	13.0	16.4	24.0	24.0	PT3/8	19.5	21.5	99.8	20	
96201224	F-PMF 1204	12.0	M24X1	41.4	18.0	22.4	16.0	16.4	24.0	24.0	PT1/2	19.5	21.5	99.2	20	

F-PMF(G)

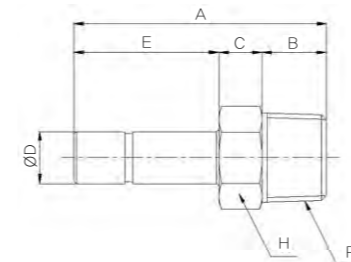
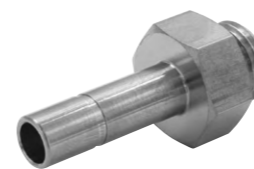
(Bulkhead Female Straight)



CODE	MODEL	ØD	M	A	B	C	E	F	H1	H2	R	X	Y	W.G(g)	Q'ty/ inbox
96200441	F-PMF 04G01	4.0	M12X1	25.5	11.0	14.9	9.0	10.6	14.0	14.0	PF1/8	8.6	10.5	23.9	50
96200641	F-PMF 06G01	6.0	M15X1	26.8	9.0	15.8	9.0	11.3	17.0	17.0	PF1/8	11.0	12.5	35.1	40
96200642	F-PMF 06G02	6.0	M15X1	31.8	14.0	15.8	12.0	11.3	17.0	17.0	PF1/4	11.0	12.5	39.0	40
96200841	F-PMF 08G01	8.0	M17X1	30.4	9.0	17.8	9.0	13.8	19.0	19.0	PF1/8	13.0	14.5	48.3	40
96200842	F-PMF 08G02	8.0	M17X1	35.4	14.0	17.8	12.0	13.8	19.0	19.0	PF1/4	13.0	14.5	54.5	40
96201042	F-PMF 10G02	10.0	M20X1	32.7	13.0	19.8	12.0	14.4	22.0	22.0	PF1/4	16.0	17.5	72.3	40
96201043	F-PMF 10G03	10.0	M20X1	34.7	15.0	19.8	13.0	14.4	22.0	22.0	PF3/8	16.0	17.5	70.2	20
96201243	F-PMF 12G03	12.0	M24X1	37.4	14.0	22.4	13.0	16.4	24.0	24.0	PF3/8	19.5	21.5	98.8	20
96201244	F-PMF 12G04	12.0	M24X1	41.4	18.0	22.4	16.0	16.4	24.0	24.0	PF1/2	19.5	21.5	97.4	20

F-PCJ(G)

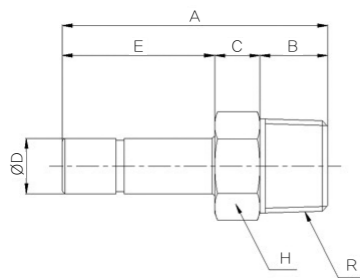
(Plug-in Male)



CODE	MODEL	ØD	A	B	C	E	H	R	W.G(g)	Q'ty/ inbox
96540431	F-PCJ 04G01	4.0	31.3	5.3	8.0	18.0	13.0	PF1/8	12.6	100
96540631	F-PCJ 06G01	6.0	36.3	5.3	8.0	23.0	13.0	PF1/8	13.1	100
96540632	F-PCJ 06G02	6.0	37.0	6.0	8.0	23.0	17.0	PF1/4	22.4	50
96540831	F-PCJ 08G01	8.0	38.3	5.3	8.0	25.0	13.0	PF1/8	12.9	50
96540832	F-PCJ 08G02	8.0	39.0	6.0	8.0	25.0	17.0	PF1/4	22.2	50
96541032	F-PCJ 10G02	10.0	41.0	6.0	8.0	27.0	17.0	PF1/4	28.5	25
96541033	F-PCJ 10G03	10.0	42.0	7.0	8.0	27.0	21.0	PF3/8	34.2	25
96541233	F-PCJ 12G03	12.0	44.0	7.0	8.0	29.0	21.0	PF3/8	32.8	25
96541234	F-PCJ 12G04	12.0	45.5	8.5	8.0	29.0	24.0	PF1/2	49.3	25

F-PCJ(R)

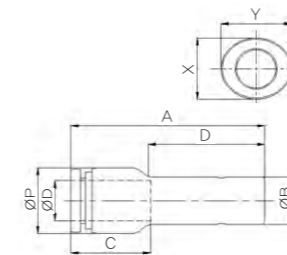
(Plug-in Male)



CODE	MODEL	ØD	A	B	C	E	H	R	W.G(g)	Q'ty/ inbox
96540411	F-PCJ 0401	4.0	34.0	8.0	8.0	18.0	10.0	PT1/8	11.0	100
96540611	F-PCJ 0601	6.0	39.0	8.0	8.0	23.0	10.0	PT1/8	11.4	100
96540612	F-PCJ 0602	6.0	42.0	11.0	8.0	23.0	14.0	PT1/4	23.3	50
96540811	F-PCJ 0801	8.0	41.0	8.0	8.0	25.0	10.0	PT1/8	10.8	50
96540812	F-PCJ 0802	8.0	44.0	11.0	8.0	25.0	14.0	PT1/4	22.4	50
96541012	F-PCJ 1002	10.0	46.0	11.0	8.0	27.0	14.0	PT1/4	20.7	25
96541013	F-PCJ 1003	10.0	47.0	12.0	8.0	27.0	17.0	PT3/8	34.2	25
96541213	F-PCJ 1203	12.0	49.0	12.0	8.0	29.0	17.0	PT3/8	31.7	25
96541214	F-PCJ 1204	12.0	52.0	15.0	8.0	29.0	21.0	PT1/2	57.5	25

F-PGJ

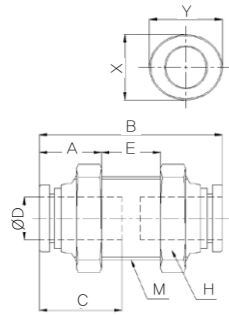
(Plug-In Reducer)



CODE	MODEL	ØD	ØP	A	ØB	C	E	X	Y	W.G(g)	Q'ty/ inbox
96184300	F-PGJ 0604	4.0	10.0	37.5	6.0	14.9	22.0	8.6	10.5	9.1	50
96184500	F-PGJ 0806	6.0	13.0	40.8	8.0	15.8	23.3	11.0	12.5	14.9	40
96184700	F-PGJ 1008	8.0	14.0	44.2	10.0	17.8	24.7	13.0	14.5	17.6	40
94185000	F-PGJ 1210	10.0	16.7	48.2	12.0	19.8	26.7	16.0	17.5	25.1	25

F-PMM

(Bulkhead Union)



CODE	MODEL	ØD	M	A	B	C	E	H	X	Y	W.G(g)	Qty/ inbox	(mm)
96190400	F-PMM 04	4.0	M12X1	10.6	31.0	14.9	9.8	17.0	8.6	10.5	29.6	50	
96190600	F-PMM 06	6.0	M15X1	11.3	32.5	15.8	10.0	19.0	11.0	12.5	41.3	40	
96190800	F-PMM 08	8.0	M17X1	13.8	36.4	17.8	8.8	22.0	13.0	14.5	53.1	40	
96191000	F-PMM 10	10.0	M20X1	14.4	40.9	19.8	12.1	27.0	16.0	17.5	85.5	25	
96191200	F-PMM 12	12.0	M24X1	16.4	45.8	22.4	13.0	30.0	19.5	21.5	127.6	20	