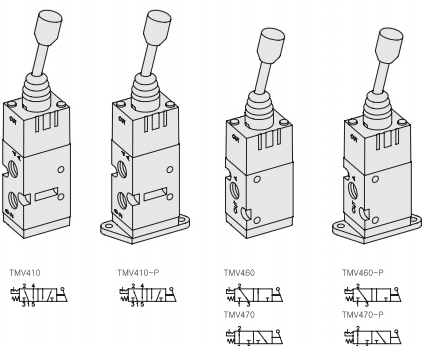
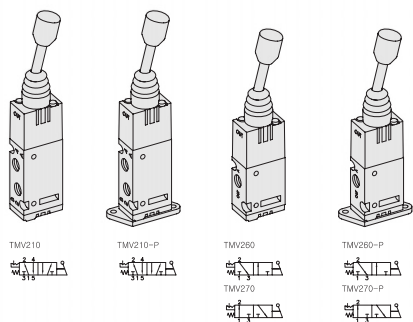


# TMV Series

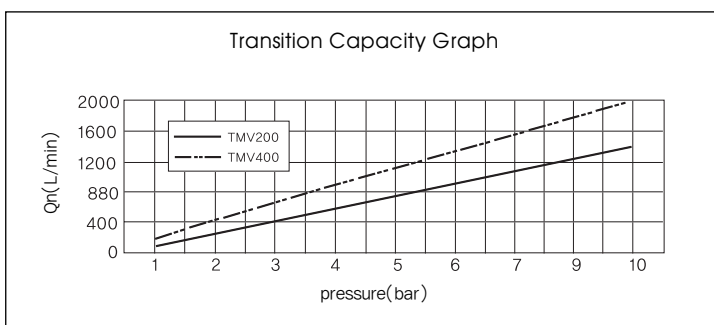
Toggle Lever operated Mechanically Actuated Spool Valves

- 5/2, 3/2 - 1/8, 1/4
- Direct Operation Type
- Simple Operation
- Manifold Mounting Type



## SPECIFICATION

ITEM	SERIES	TMV200	TMV400
	FUNCTION	5/2, 3/2-Way	
Fluids	Compressed Air & Inert Gases		
Port Size		1/8	1/4
Pressure(bar)		2.0~10.0	0~8.0
Eff. Sectional Area(mm <sup>2</sup> )-5bar		9.0	18.0
Ambient & Fluid Temp.	5~60°C (41~140°F)		
Lubrication	Not Required(Use ISO VG32#)		



- ### The Material of Parts
- Valve Body : Die-Cast Aluminium
  - Cap : Zinc Pressure Die-Cast
  - Spool : Aluminium
  - Seals : NBR
  - Spring : Stainless
  - Lever Parts : Steel, NBR, Aluminium

Standing Plate (Material : SCP1)

Ordering Code  
TMV-P

\* The specification on each item can be amended without any prenotice to improve a performance.  
\* The specification on each item can be different from actual specification.

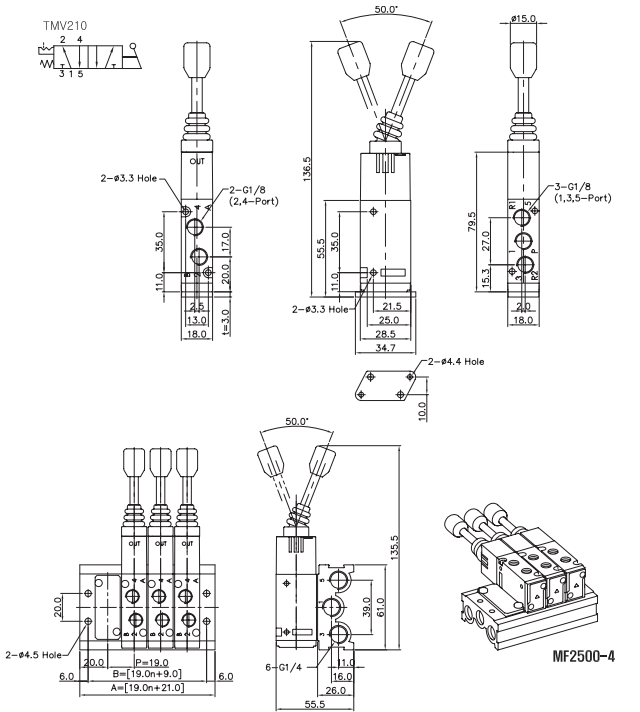
## ORDERING NO.

**TMV2 1 - 0 - P**

Valve Series	Function	Port Size & Thread	Plate
TMV2 : 1/8-Port Body	1   5/2 Single 6   3/2 Normally Closed 7   3/2 Normally Open	0   G 1   NPT	P   Standing Plate
TMV4 : 1/4-Port Body			



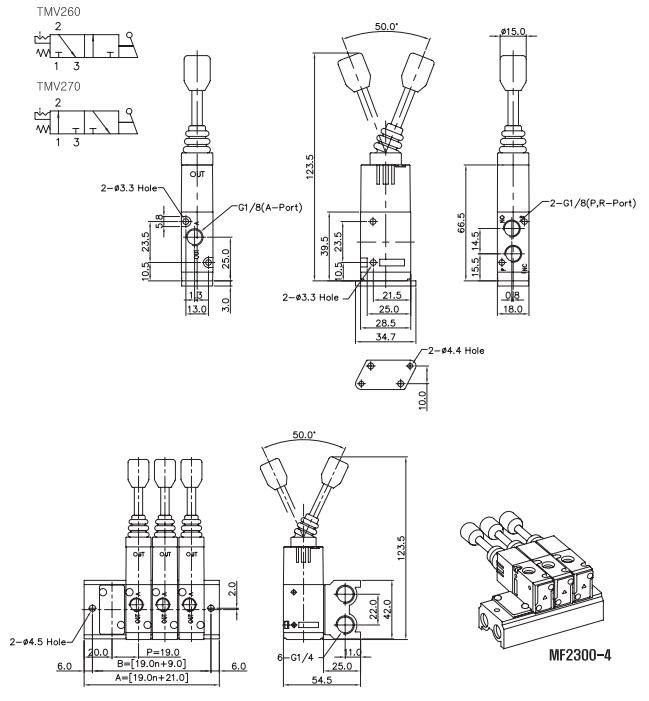
### 5/2-Way, Toggle Lever Manually Actuated Valve Thread-G1/8



**5 PORT MANIFOLD BLOCK DIMENSION** n=STATION

ITEM	n	2	4	6	8	10	12	14
B		47.0	85.0	123.0	161.0	199.0	237.0	275.0
A		59.0	97.0	135.0	173.0	211.0	249.0	287.0

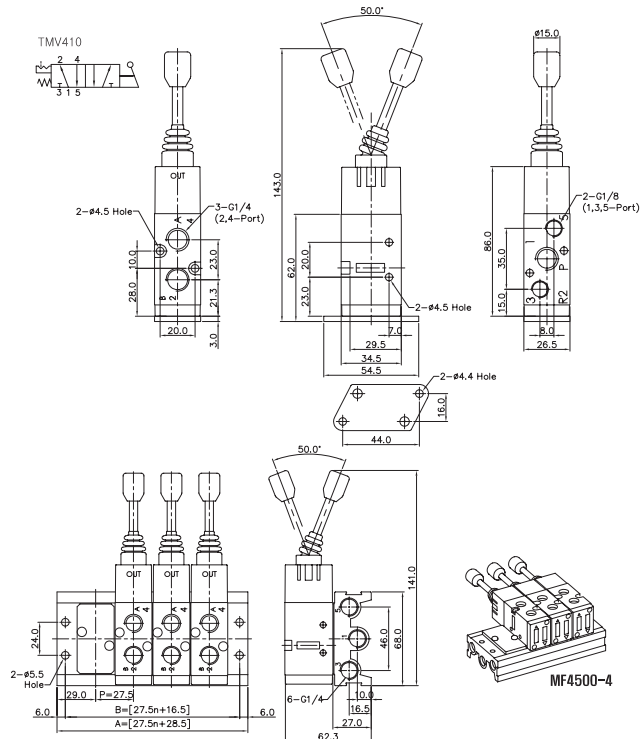
### 3/2-Way, Toggle Lever Manually Actuated Valve Thread-G1/8



**3 PORT MANIFOLD BLOCK DIMENSION** n=STATION

ITEM	n	2	4	6	8	10	12	14
B		47.0	85.0	123.0	161.0	199.0	237.0	275.0
A		59.0	97.0	135.0	173.0	211.0	249.0	287.0

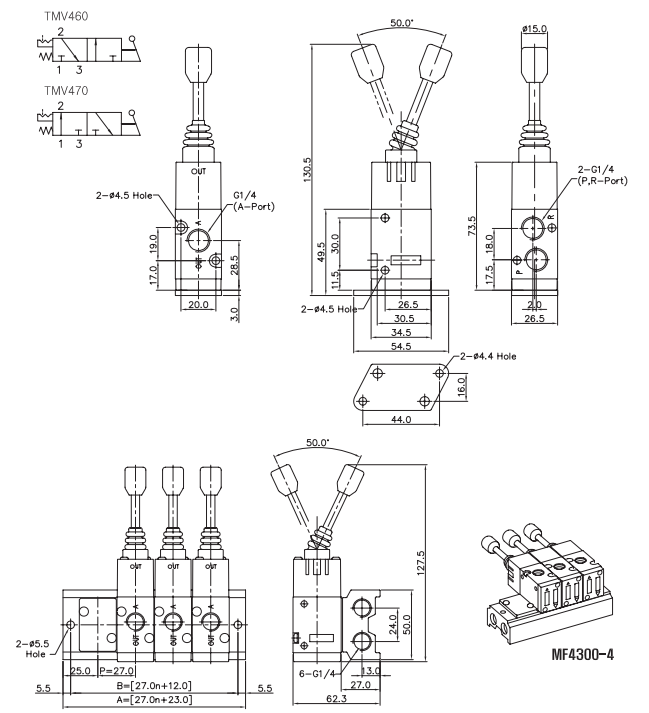
### 5/2-Way, Toggle Lever Manually Actuated Valve Thread-G1/4



**5 PORT MANIFOLD BLOCK DIMENSION** n=STATION

ITEM	n	2	4	6	8	10	12	14
B		71.5	126.5	181.5	236.5	291.5	346.5	401.5
A		83.5	138.5	193.5	248.5	303.5	358.5	413.5

### 3/2-Way, Toggle Lever Manually Actuated Valve Thread-G1/4



**3 PORT MANIFOLD BLOCK DIMENSION** n=STATION

ITEM	n	2	4	6	8	10	12	14
B		66.0	120.0	174.0	228.0	282.0	336.0	390.0
A		77.0	131.0	185.0	239.0	293.0	347.0	401.0