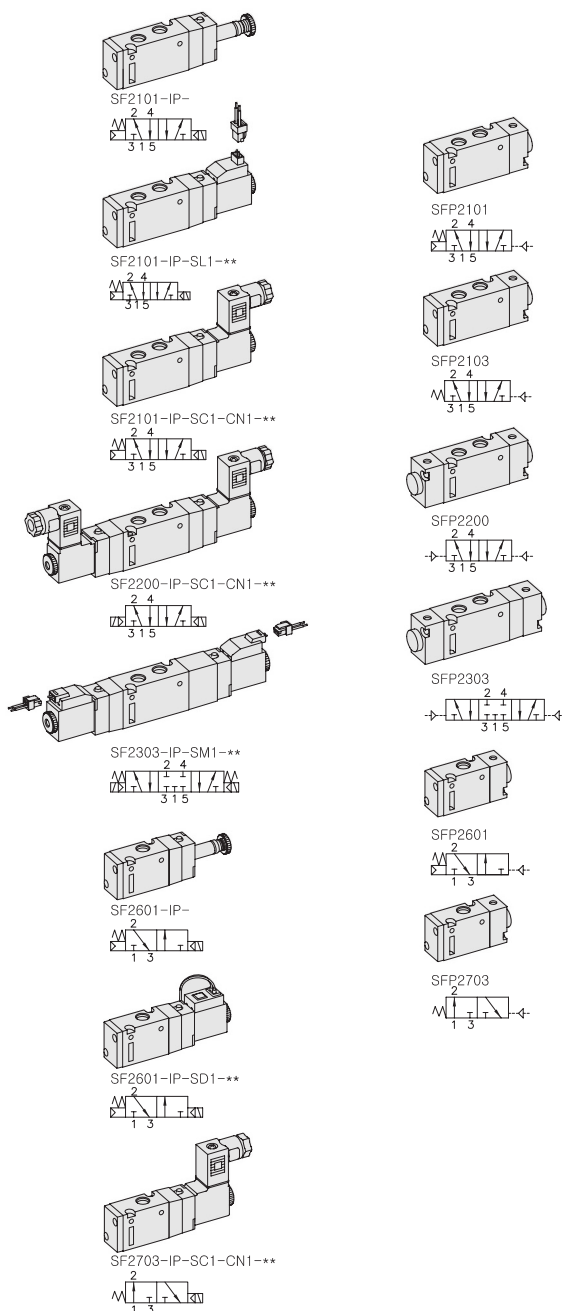


SF2000. 1/8

"F" FLEXIBLE Series
Solenoid / Pneumatic Valves

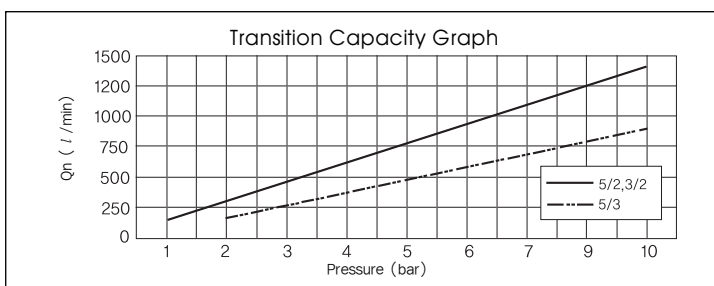
- 5/2, 5/3, 3/2 - 1/8
- 18mm Body Width
- Transition Flow 700ℓ/min (5bar)



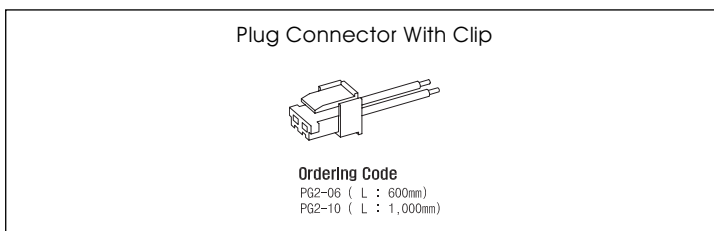
** : Voltage Selection (see page 80)

SPECIFICATION

ITEM	SERIES	SOLENOID, PNEUMATIC	
		FUNCTION	
		5, 3 Port 2 Position	5 Port 3 Position
Fluids		Compressed Air & Inert Gases	
Pressure(bar)		1.5~10.0	2.0~10.0
Eff. Section Area(mm ²)-5bar		12.6	9.0
Ambient & Fluid Temp.		5~60°C (41~140°F)	
Response Time(5bar)		25ms or Less	35ms or Less
Max. Working Frequency		5c/sec	3c/sec
Lubrication		Not Required(Use ISO VG32 #)	
Manual Override		Push Button(Standard), Lever Lock(Option)	
Coil Insulation Class		F-Class or Equivalent	
Permissible Voltage Variation		±10% of Rated Voltage	
Off Min. Residual Voltage		AC:20% or Less / DC:10% or Less	
Power Consumption		Holding-AC:3.5VA(60Hz) / DC:2.5W	



- ### The Material of Parts
- Valve Body : Die-Cast Aluminium
 - Spool : Aluminium
 - Seals : NBR
 - Spring : Stainless
 - Cap : Zinc Pressure Die-Cast
 - Pilot Parts : Glass Filled Nylon
 - Armature : Stainless Steel
 - Armature Seals : Viton

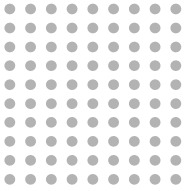


* The specification on each item can be amended without any prenotice to improve a performance.
* The specification on each item can be different from actual specification.

ORDERING NO.

SF2 1 0 1 - I P - SC1 - CN1 - A2

Valve Series	Function	Port Size & Thread	Return Method	Int/Ext. Pilot	Manual Operator	Solenoid Coil Type	Connector Type	Voltage
SF2 : Solenoid Valve	1 5/2 Single	0 G 1/8	0 None	I Internal Pilot	0 None	0 None	0 None	0 None
	2 5/2 Double	1 NPT 1/8	1 Air + Spring		P Push Non-Locking	SC1 3 Pin Connector Coil SG1 Grommet/Flying Leads	CN1 Normal Connector CD1 Connector With LED	A2 AC 220V A1 AC 110V
	3 5/3 Closed Center		2 Air		L Lever Locking	SD1 Grommet/Flying Leads With LED SL1 90 Degree Plug-in Wire Assembly With LED SM1 180 Degree Plug-in Wire Assembly With LED	CZ1 Connector With LED & Surge Suppressor	A4 AC 24V D4 DC 24V D2 DC 12V
SFP2 : Pneumatic Valve	4 5/3 Open Center		3 Spring					
	5 5/3 Pressure Center							
	6 3/2 Normally Closed							
	7 3/2 Normally Open							

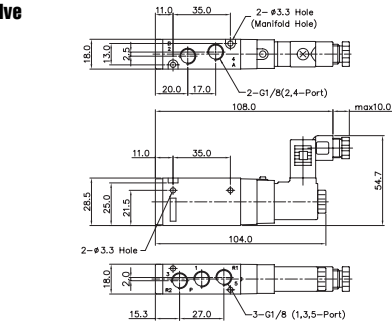


Solenoid & Pilot Actuated Spool Valves

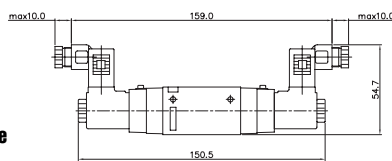
Port Thread 1/8

5Port 2Position Solenoid Valve

Single Solenoid
SF2101-IP-SC1-CN1-***

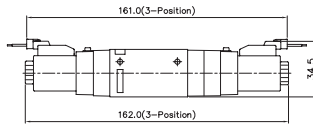


Double Solenoid
SF2200-IP-SC1-CN1-***



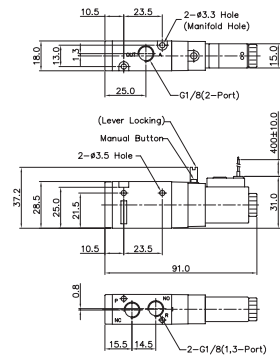
5Port 3Position Solenoid Valve

Closed Center
SF2303-IP-SM1-***
Exhaust Center
SF2403-IP-SM1-***
Pressure Center
SF2503-IP-SM1-***



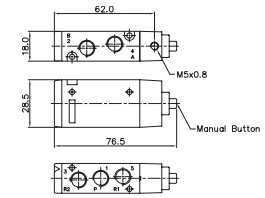
3Port 2Position Solenoid Valve

Normally Closed
SF2601-IP-SD1-***
Normally Open
SF2701-IP-SD1-***

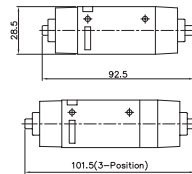


5Port 2Position Pneumatic Valve

Single Pneumatic
SFP2101



Double Pneumatic
SFP2200

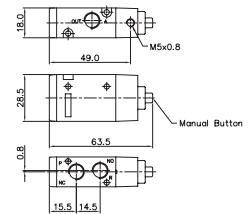


5Port 3Position Pneumatic Valve

Closed Center
SFP2303
Exhaust Center
SFP2403
Pressure Center
SFP2503

3Port 2Position Pneumatic Valve

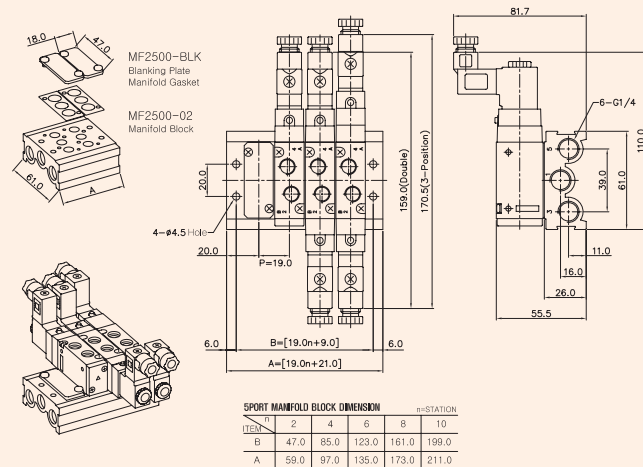
Normally Closed
SFP2601
Normally Open
SFP2701



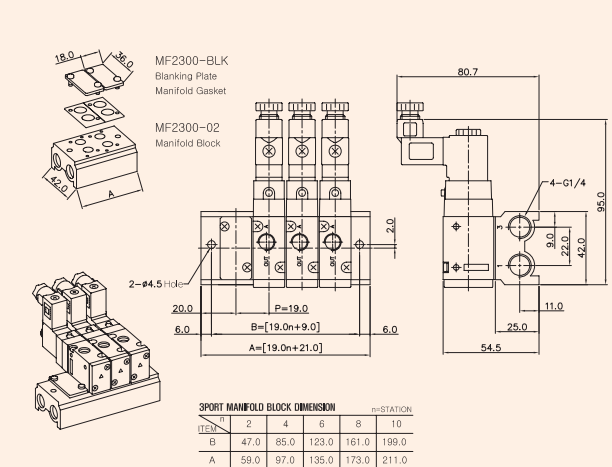
MF2000 MANIFOLD BLOCK

(SF2000 Solenoid & Pneumatic Valve Use)

5-Port Manifold Block MF2500-4



3-Port Manifold Block MF2300-4



Manifold Block Ordering Code

MF 2500 - 2

Series	Manifold Station
MF2500	5 Way
MF2300	3 Way
	02 2-Station
	04 4-Station
	06 6-Station
	08 8-Station
	10 10-Station

Blanking Plate Ordering Code

MF2500-BLK

Blanking Plate. (Material : SCP1)
Manifold Gasket. (Material : NBR)

MF2300-BLK

Blanking Plate. (Material : SCP1)
Manifold Gasket. (Material : NBR)