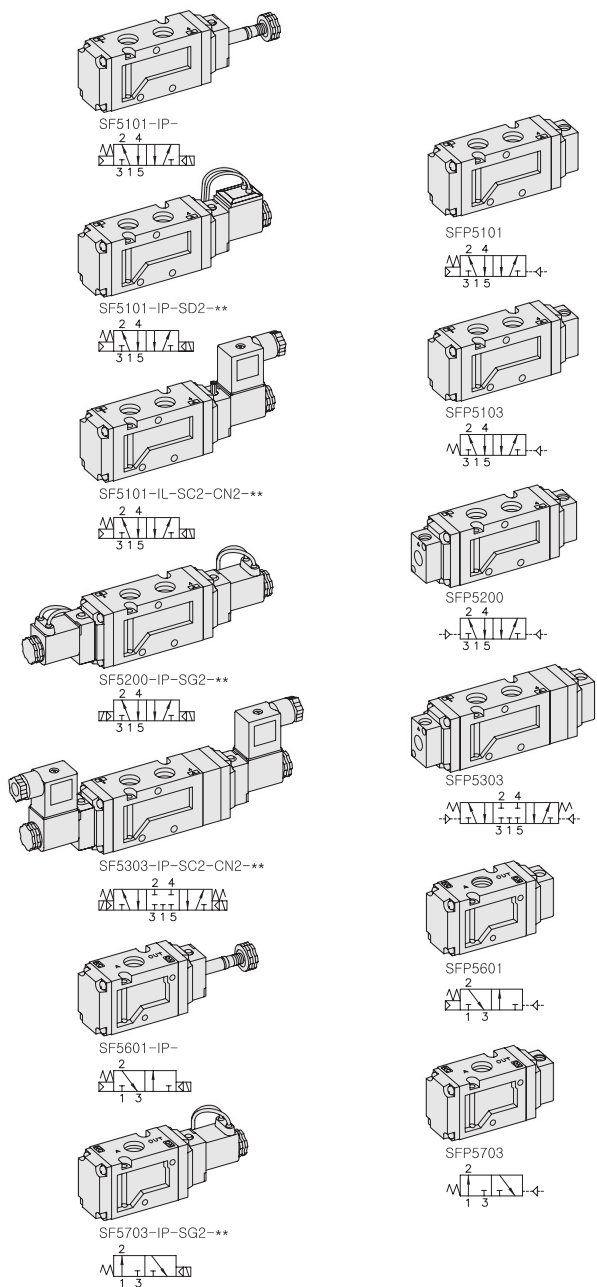


SF5000. 3/8

"F" FLEXIBLE Series
Solenoid / Pneumatic Valves

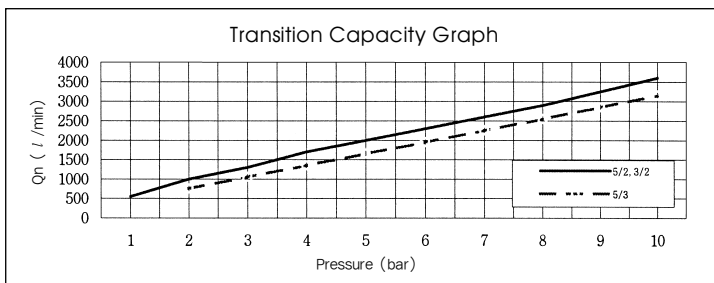
- 5/2, 5/3, 3/2 - 3/8
- 32mm Body Width
- Transition Flow 2000ℓ/min (5bar)



***: Voltage Selection (see page 80)

SPECIFICATION

ITEM	SERIES	SOLENOID, PNEUMATIC	
		FUNCTION	
		5, 3 Port 2 Position	5 Port 3 Position
Fluids		Compressed Air & Inert Gases	
Pressure(bar)		1.5~10.0	2.0~10.0
Eff. Section Area(mm ²)-5bar		36.0	30.0
Ambient & Fluid Temp.		5~60°C (41~140°F)	
Response Time(5bar)		30ms or Less	40ms or Less
Max. Working Frequency		5c/sec	3c/sec
Lubrication		Not Required(Use ISO VG32 #)	
Manual Override		Push Button(Standard), Lever Lock(Option)	
Coil Insulation Class		F-Class or Equivalent	
Permissible Voltage Variation		±10% of Rated Voltage	
Off Min. Residual Voltage		AC:20% or Less / DC:10% or Less	
Power Consumption		Holding-AC:5.5VA(60Hz) / DC:2.5W	



The Material of Parts

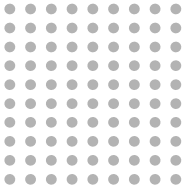
■ Valve Body : Die-Cast Aluminium	■ Pilot Parts : Glass Filled Nylon
■ Spool : Aluminium	■ Armature : Stainless Steel
■ Seals : NBR	■ Armature Seals : Viton
■ Spring : Stainless	
■ Cap : Zinc Pressure Die-Cast	

* The specification on each item can be amended without any prenotice to improve a performance.
* The specification on each item can be different from actual specification.

ORDERING NO.

SF5 1 0 1 - I P - SC2 - CN2 - A2

Valve Series	Function	Port Size & Thread	Return Method	Int/Ext. Pilot	Manual Operator	Solenoid Coil Type	Connector Type	Voltage
SF5 : Solenoid Valve	1 5/2 Single	0 G 3/8	0 None	1 Internal Pilot	0 None	0 None	0 None	0 None
	2 5/2 Double	1 NPT 3/8	1 Air + Spring		P Push Non-Locking	SC2 3 Pin Connector Coil	CN2 Normal Connector	A2 AC 220V
	3 5/3 Closed Center		2 Air		L Lever Locking	SG2 Grommet/Flying Leads	CD2 Connector With LED	A1 AC 110V
	4 5/3 Open Center		3 Spring			SD2 Grommet/Flying Leads With LED	CZ2 Connector With LED & Surge Suppressor	A4 AC 24V D4 DC 24V D2 DC 12V
SFP5 : Pneumatic Valve	5 5/3 Pressure Center							
	6 3/2 Normally Closed							
	7 3/2 Normally Open							

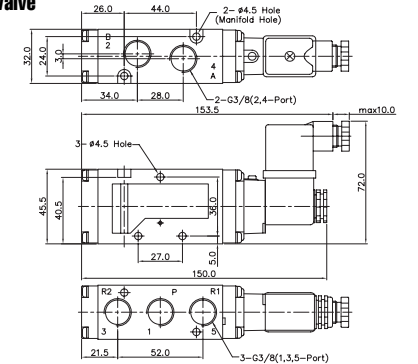


Solenoid & Pilot Actuated Spool Valves

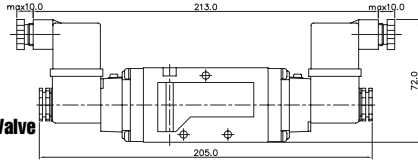
Port Thread 3/8

5Port 2Position Solenoid Valve

Single Solenoid
SF5300-IP-SC2-CN2-***
22 44
33 55

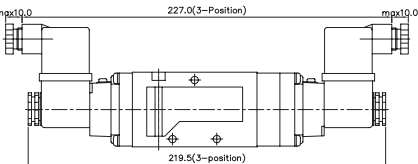


Double Solenoid
SF5200-IP-SC2-CN2-***
22 44
33 55



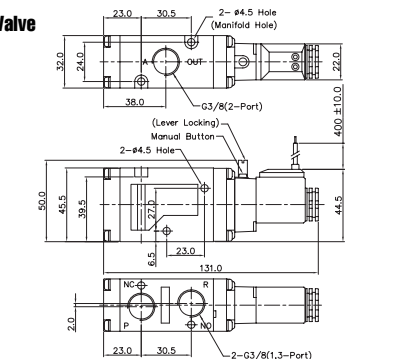
5Port 3Position Solenoid Valve

Double Solenoid
SF5303-IP-SC2-CN2-***
22 44
33 55
Exhaust Center
SF5403-IP-SC2-CN2-***
22 44
33 55
Pressure Center
SF5503-IP-SC2-CN2-***
22 44
33 55



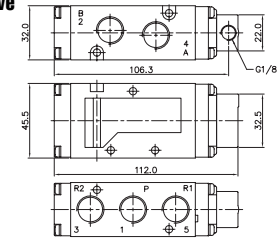
3Port 2Position Solenoid Valve

Normally Closed
SF5601-IP-SD2-***
22 44
33 55
Normally Closed
SF5701-IP-SD2-***
22 44
33 55

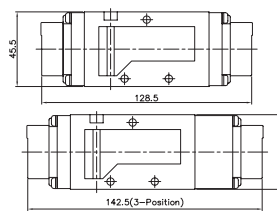


5Port 2Position Pneumatic Valve

Single Pneumatic
SFP5101
22 44
33 55



Double Pneumatic
SFP5200
22 44
33 55

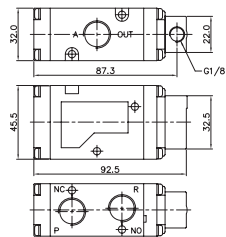


5Port 3Position Pneumatic Valve

Closed Center
SFP5303
22 44
33 55
Exhaust Center
SFP5403
22 44
33 55
Pressure Center
SFP5503
22 44
33 55

3Port 2Position Pneumatic Valve

Single Pneumatic
SFP5601
22 44
33 55



MF5000 MANIFOLD BLOCK

(SF5000 Solenoid & Pneumatic Valve Use)

Manifold Block Ordering Code

MF 5500 - 2

Series	Manifold Station
MF5500	5 Way
MF5300	3 Way

02	2-Station
04	4-Station
06	6-Station
08	8-Station
10	10-Station

Blanking Plate Ordering Code

MF5500-BLK

Blanking Plate. (Material: SCP1)

Manifold Gasket. (Material: NBR)

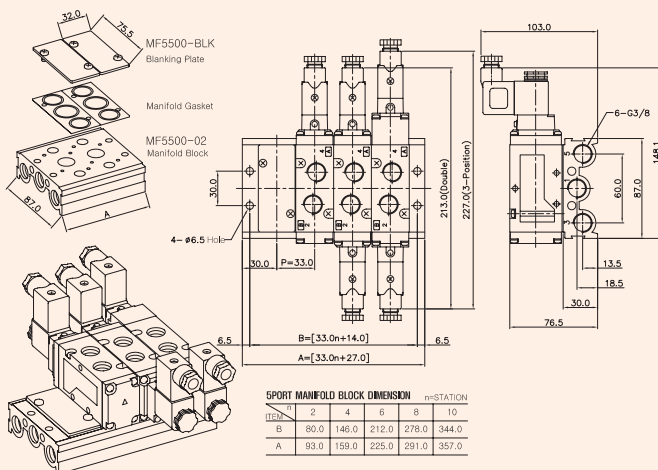
MF5300-BLK

Blanking Plate. (Material: SCP1)

Manifold Gasket. (Material: NBR)

5-Port Manifold Block

MF5500-4



3-Port Manifold Block

MF5300-4

