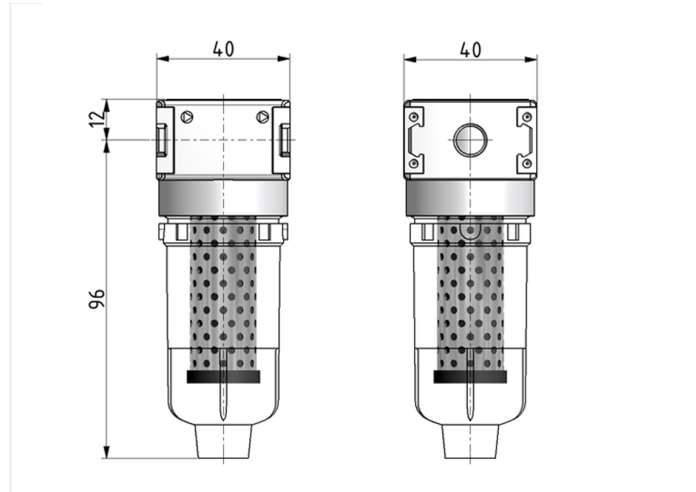


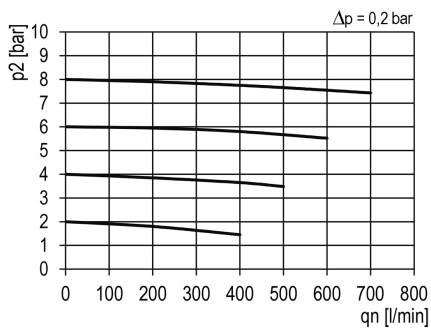
Filter of the Multi-Fix series

Activated carbon filter G1/8 (element A 23/60) with PC bowl

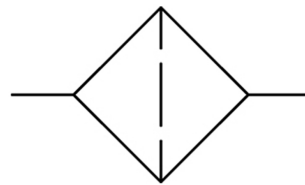


type	part-number	series	port size	flow rate	weight
FA.00	9.1300.00.070	Multi-Fix	G 1/8	310 l/min	0.257 kg

flow characteristic



symbol



technical data

- **description:** active carbon filter
- **medium:** compressed air, neutral gases
- **supply pressure P1 min.:** 0 bar
- **supply pressure P1 max.:** 16 bar
- **temperature range:** -10°C - +60°C
- **bowl:** PC
- **mounting:** vertical
- **residual oil concent:** 0,005 mg/m³

accessories



- coupling kit wall mounting:
[ZW.00-1](#)