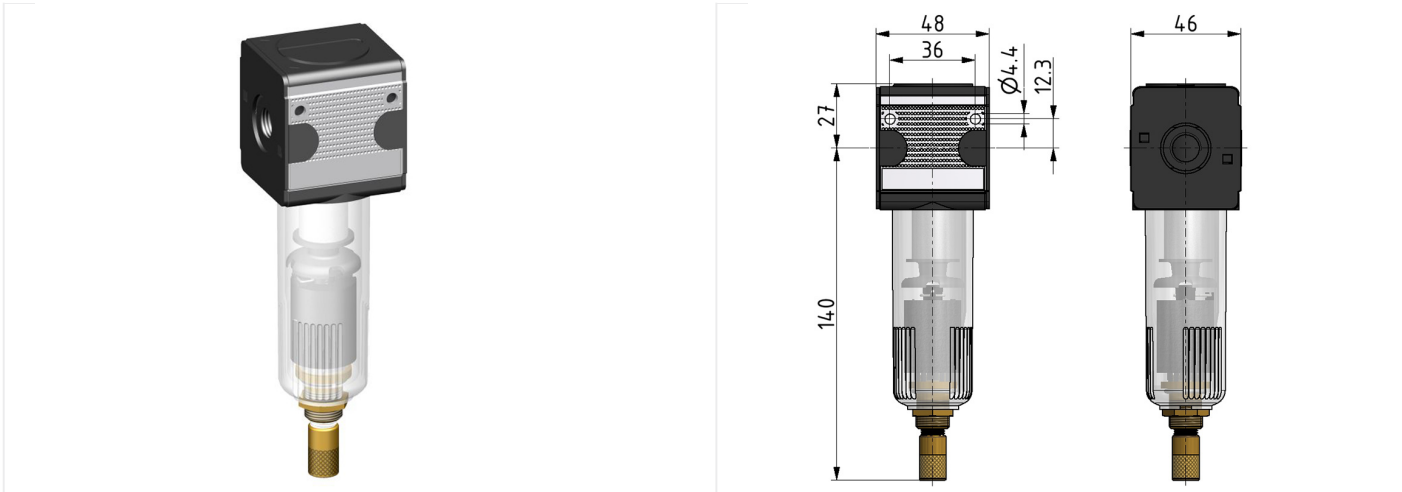


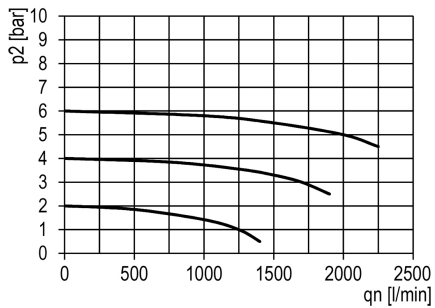
Filter of the Multi-Fix series

Filter G1/4 5µm with PC bowl and automatic drain

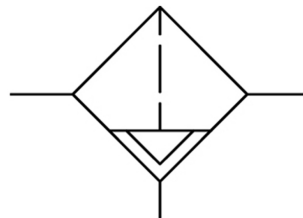


type	part-number	series	port size	flow rate	weight
F.11 AM10	9.1311.100	Multi-Fix	G 1/4	2000 l/min	0.334 kg

flow characteristic



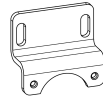
symbol



technical data

- **description:** sinter filter centrifugal principle
- **medium:** compressed air, neutral gases
- **supply pressure P1 min.:** 1,5 bar
- **supply pressure P1 max.:** 16 bar
- **temperature range:** -10°C - +60°C
- **owl:** PC
- **drain:** AM NO
- **mounting:** vertical
- **filter element:** 5 µm

accessories



- mounting bracket: [ZW.11-1](#)