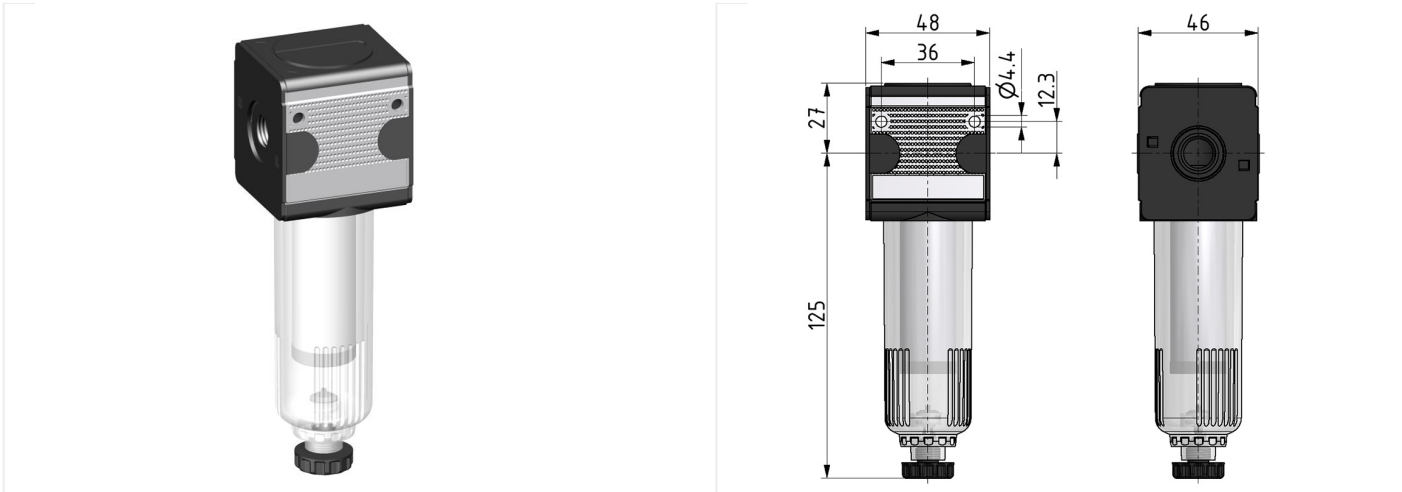


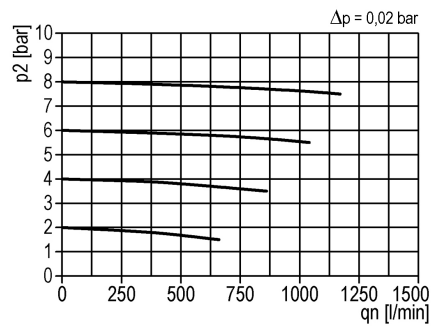
Filter of the Multi-Fix series

Prefilter G1/4 0,3µm with PC bowl and semi automatic drain

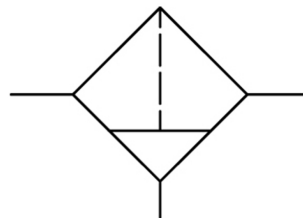


type	part-number	series	port size	flow rate	weight
FV.11 HA4	9.1311.901	Multi-Fix	G 1/4	160 l/min	0.305 kg

flow characteristic



symbol



technical data

- **description:** prefilter
- **medium:** compressed air, neutral gases
- **supply pressure P1 min.:** 1,5 bar
- **supply pressure P1 max.:** 16 bar
- **temperature range:** -10°C - +60°C
- **bowl:** PC
- **drain:** HA
- **mounting:** vertical
- **filter element:** 0,3 µm
- **particle separation:** > 0,3 µm 99,999%

accessories



- mounting bracket: [ZW.11-1](#)