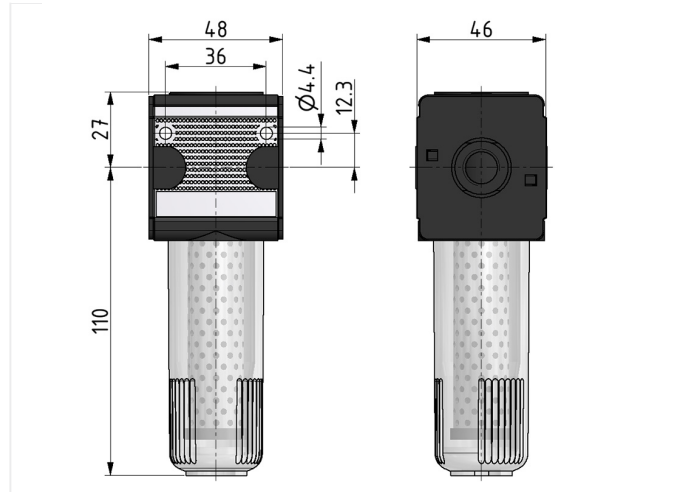


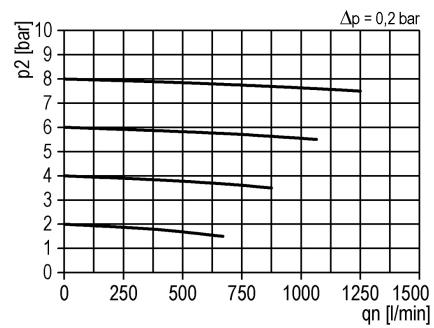
Filter of the Multi-Fix series

Activated carbon filter G1/4 with PC bowl

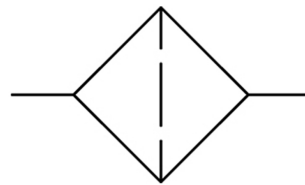


type	part-number	series	port size	flow rate	weight
FA.11	9.1311.970	Multi-Fix	G 1/4	380 l/min	0.323 kg

flow characteristic



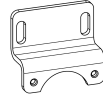
symbol



technical data

- **description:** active carbon filter
- **medium:** compressed air, neutral gases
- **supply pressure P1 min.:** 0 bar
- **supply pressure P1 max.:** 16 bar
- **temperature range:** -10°C - +60°C
- **owl:** PC
- **mounting:** vertical
- **residual oil concent:** 0,005 mg/m³

accessories



- mounting bracket: [ZW.11-1](#)