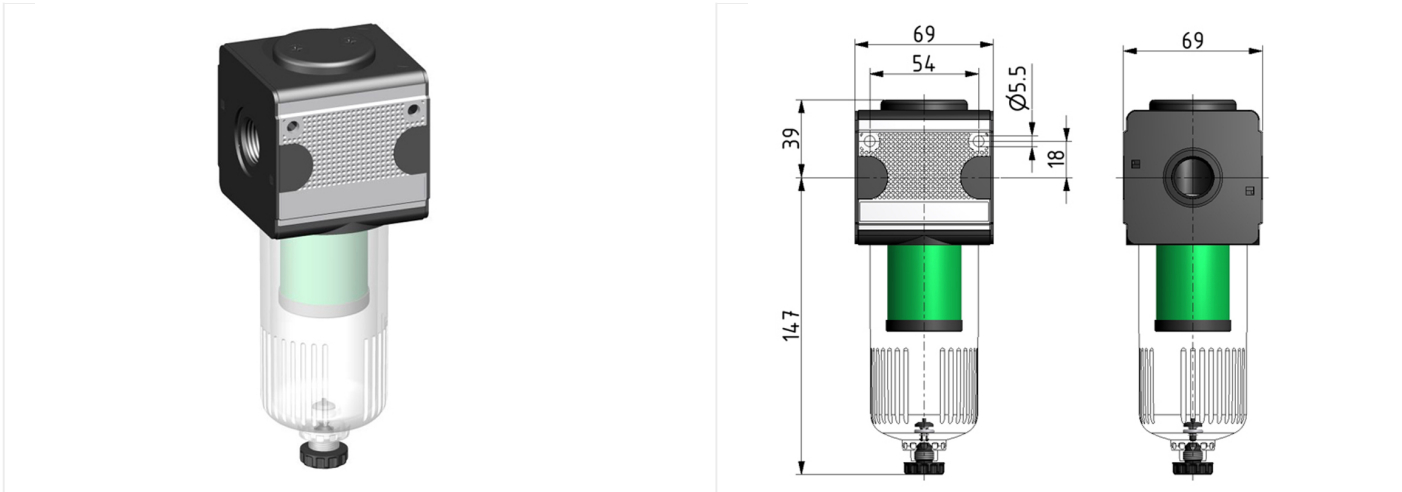


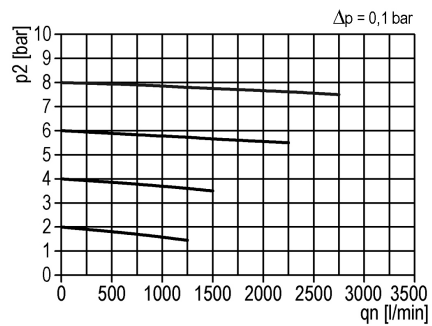
Filter of the Multi-Fix series

Finefilter G1/2 0,01µm with PC bowl and semi automatic drain

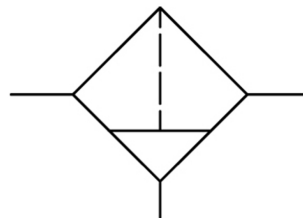


type	part-number	series	port size	flow rate	weight
FX.33 HA4	9.1333.931	Multi-Fix	G 1/2	720 l/min	0.745 kg

flow characteristic



symbol



technical data

- **description:** finefilter
- **medium:** compressed air, neutral gases
- **supply pressure P1 min.:** 1,5 bar
- **supply pressure P1 max.:** 16 bar
- **temperature range:** -10°C - +60°C
- **bowl:** PC
- **drain:** HA
- **mounting:** vertical
- **filter element:** 0,01 µm
- **particle separation:** > 0,01 µm 99,999%
- **residual oil concent:** 0,01 mg/m³

accessories



- mounting bracket: [ZW.33-1](#)

- differential pressure display



- differential pressure gauge: [DM.2](#)