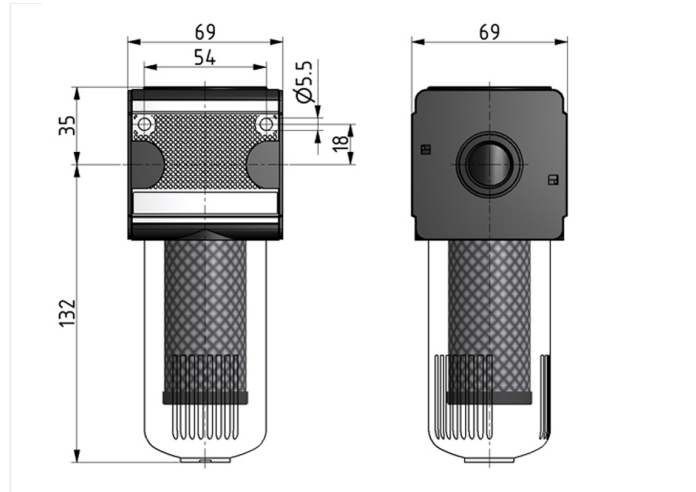


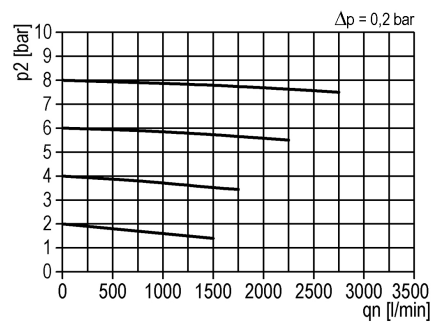
## Filter of the Multi-Fix series

Activated carbon filter G1/2 with PC bowl

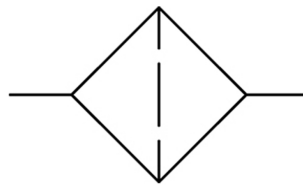


type	part-number	series	port size	flow rate	weight
FA.33	9.1333.970	Multi-Fix	G 1/2	1500 l/min	0.813 kg

### flow characteristic



### symbol



#### technical data

- **description:** active carbon filter
- **medium:** compressed air, neutral gases
- **supply pressure P1 min.:** 0 bar
- **supply pressure P1 max.:** 16 bar
- **temperature range:** -10°C - +60°C
- **bowl:** PC
- **mounting:** vertical
- **residual oil concent:** 0,005 mg/m<sup>3</sup>

#### accessories



- mounting bracket: [ZW.33-1](#)