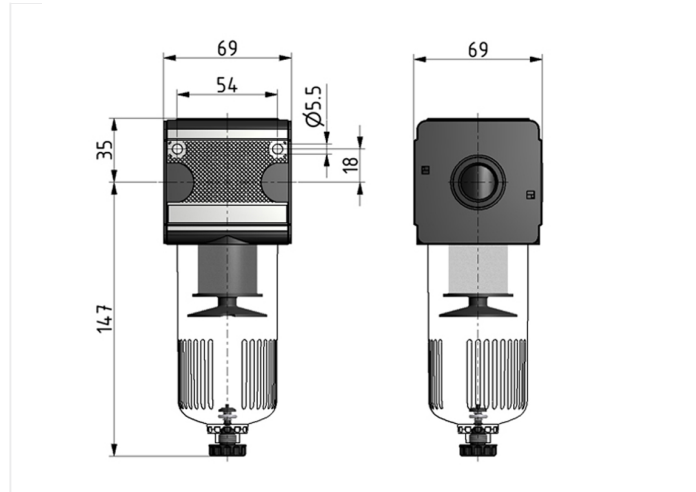


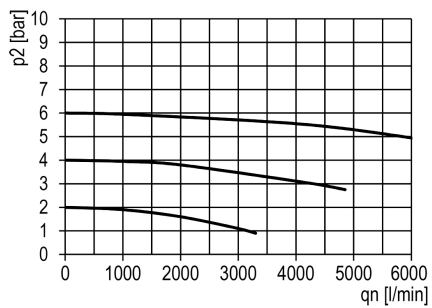
## Filter of the Multi-Fix series

Filter G3/4 5µm with PC bowl and semi automatic drain

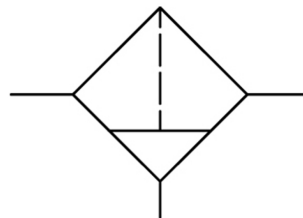


type	part-number	series	port size	flow rate	weight
F.34 HA4	9.1334.050	Multi-Fix	G 3/4	5850 l/min	0.694 kg

### flow characteristic



### symbol



#### technical data

- **description:** sinter filter centrifugal principle
- **medium:** compressed air, neutral gases
- **supply pressure P1 min.:** 1,5 bar
- **supply pressure P1 max.:** 16 bar
- **temperature range:** -10°C - +60°C
- **owl:** PC
- **drain:** HA
- **mounting:** vertical
- **filter element:** 5 µm

#### accessories



- mounting bracket: [ZW.33-1](#)