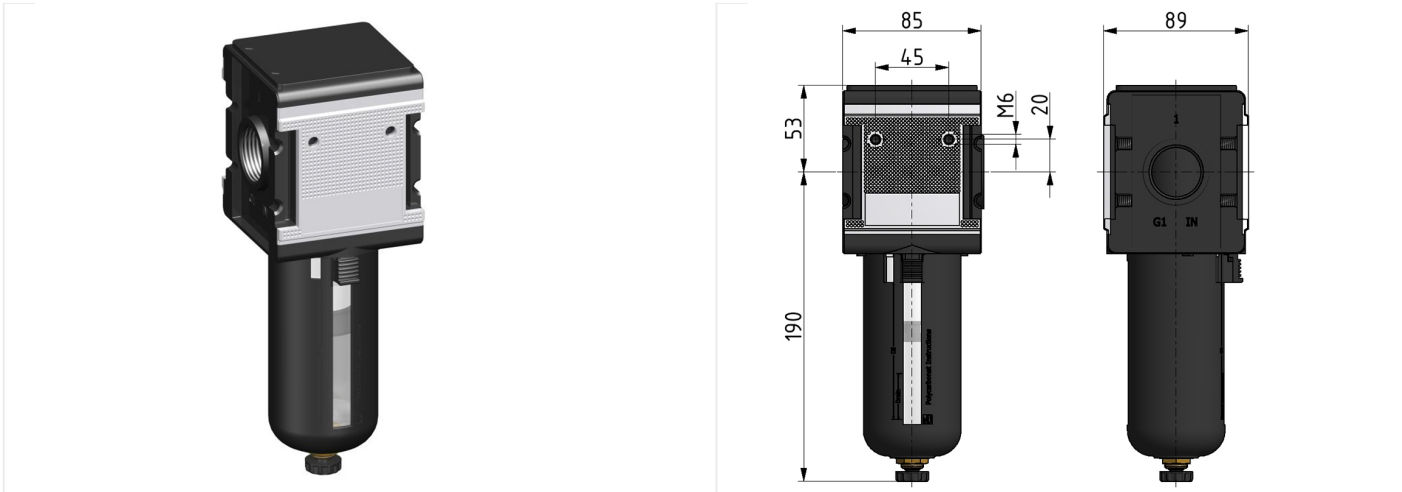


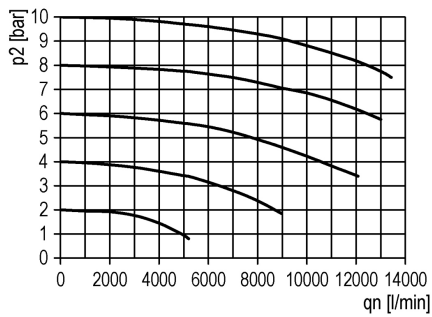
Filter of the Multi-Fix series

Filter G3/4 5µm with PC bowl, bowl guard and semi automatic drain

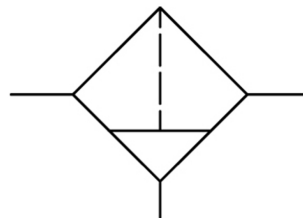


| type | part-number | series | port size | flow rate | weight |
|------------|-------------|-----------|-----------|------------|----------|
| F.44 HA3 B | 9.1344.054 | Multi-Fix | G 3/4 | 8000 l/min | 1.100 kg |

flow characteristic



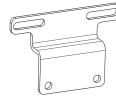
symbol



technical data

- **description:** sinter filter centrifugal principle
- **medium:** compressed air, neutral gases
- **supply pressure P1 min.:** 1,5 bar
- **supply pressure P1 max.:** 16 bar
- **temperature range:** -10°C - +60°C
- **bowl:** PC with PA bowl guard
- **drain:** HA3
- **mounting:** vertical
- **filter element:** 5 µm

accessories



- mounting bracket: [ZW.45](#)