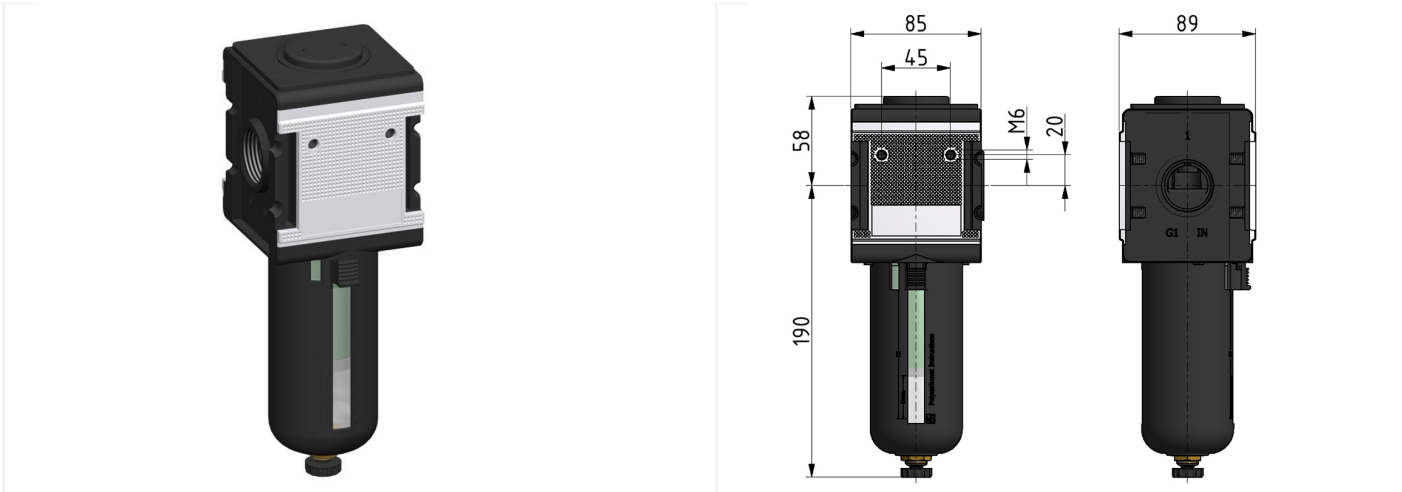


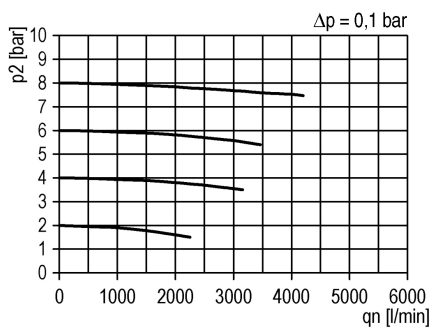
## Filter of the Multi-Fix series

Finefilter G3/4 0,01µm with PC bowl, bowl guard and semi automatic drain

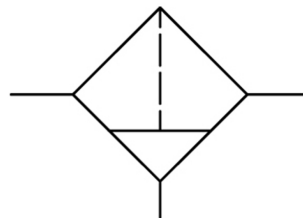


type	part-number	series	port size	flow rate	weight
FX.44 HA3 B	9.1344.934	Multi-Fix	G 3/4	1500 l/min	1.286 kg

### flow characteristic



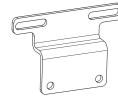
### symbol



**technical data**

- **description:** finefilter
- **medium:** compressed air, neutral gases
- **supply pressure P1 min.:** 1,5 bar
- **supply pressure P1 max.:** 16 bar
- **temperature range:** -10°C - +60°C
- **bowl:** PC with PA bowl guard
- **drain:** HA3
- **mounting:** vertical
- **filter element:** 0,01 µm
- **particle separation:** > 0,01 µm 99,999%
- **residual oil concent:** 0,01 mg/m<sup>3</sup>

**accessories**



- mounting bracket: [ZW.45](#)



- differential pressure display

- differential pressure gauge: [DM.2](#)