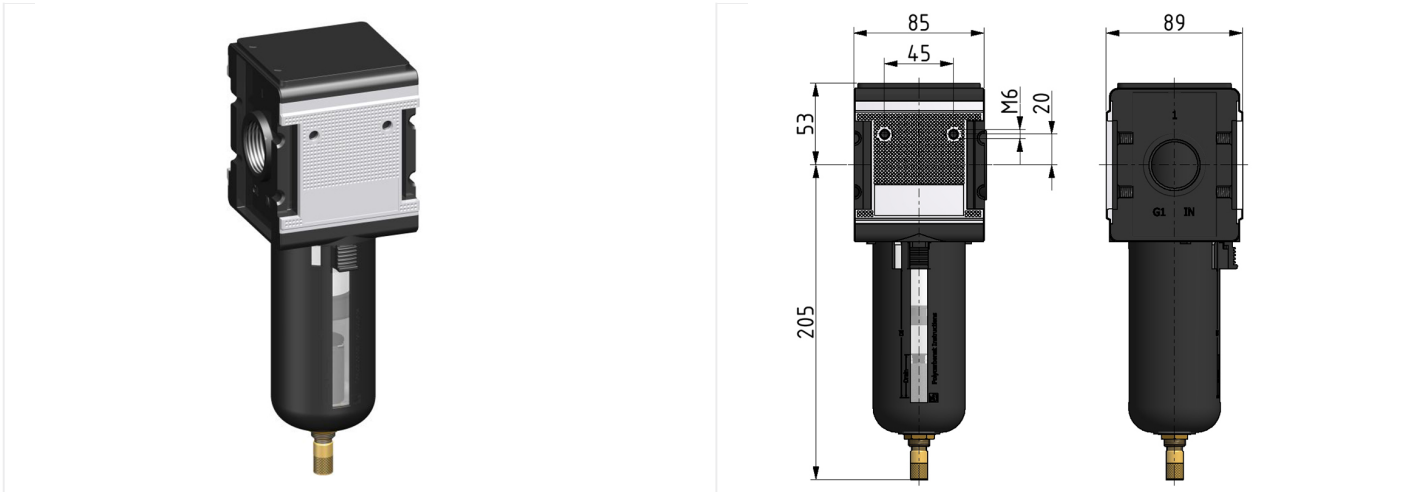


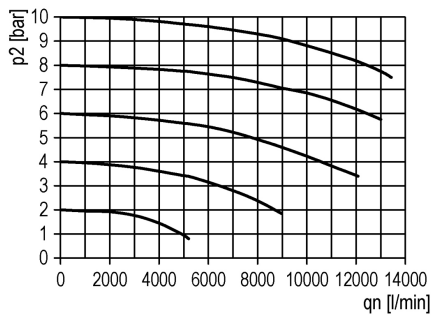
## Filter of the Multi-Fix series

Filter G1 5µm with PC bowl, bowl guard and automatic drain

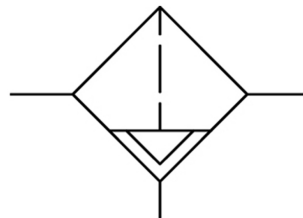


type	part-number	series	port size	flow rate	weight
F.45 AM10 B	9.1345.104	Multi-Fix	G 1	8000 l/min	1.056 kg

flow characteristic



symbol



#### technical data

- **description:** sinter filter centrifugal principle
- **medium:** compressed air, neutral gases
- **supply pressure P1 min.:** 1,5 bar
- **supply pressure P1 max.:** 16 bar
- **temperature range:** -10°C - +60°C
- **bowl:** PC with PA bowl guard
- **drain:** AM NO
- **mounting:** vertical
- **filter element:** 5 µm

#### accessories



- mounting bracket: [ZW.45](#)