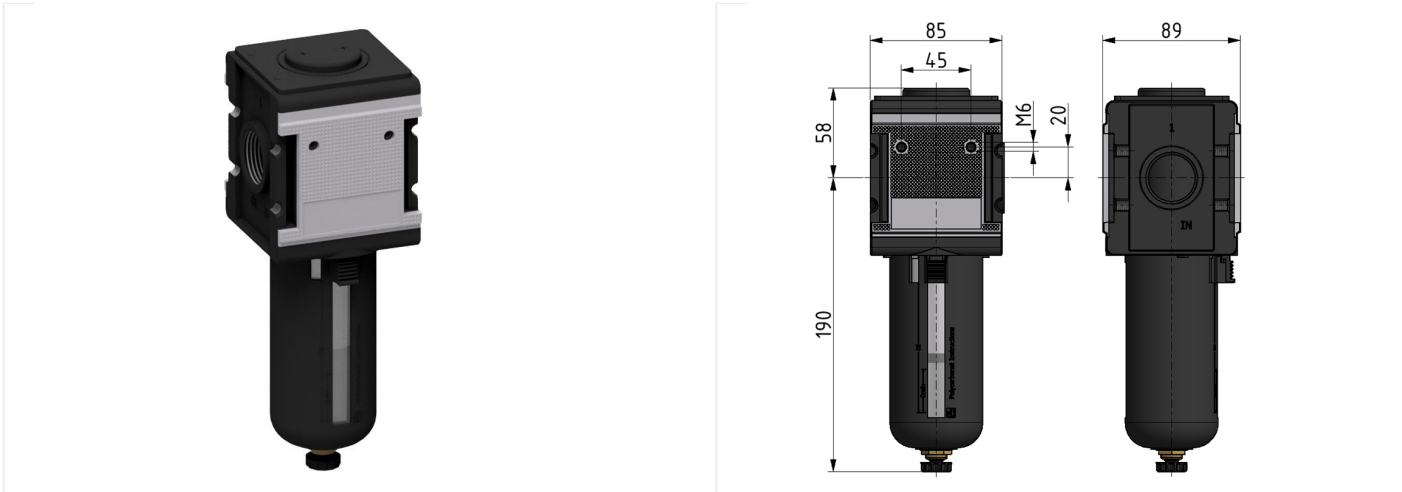


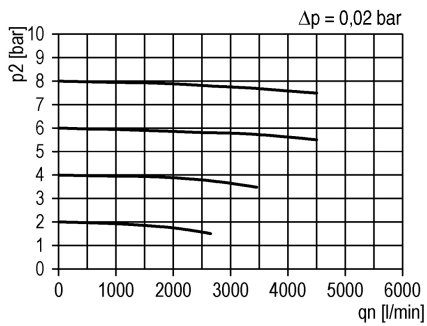
## Filter of the Multi-Fix series

Prefilter G1 0,3µm with PC bowl, bowl guard and semi automatic drain

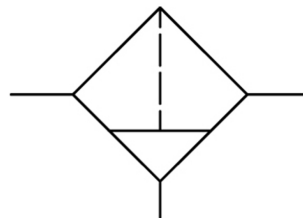


type	part-number	series	port size	flow rate	weight
FV.45 HA3 B	9.1345.904	Multi-Fix	G 1	2000 l/min	1.282 kg

### flow characteristic



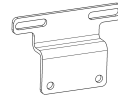
### symbol



**technical data**

- **description:** prefilter
- **medium:** compressed air, neutral gases
- **supply pressure P1 min.:** 1,5 bar
- **supply pressure P1 max.:** 16 bar
- **temperature range:** -10°C - +60°C
- **bowl:** PC with PA bowl guard
- **drain:** HA3
- **mounting:** vertical
- **filter element:** 0,3 µm
- **particle separation:** > 0,3 µm 99,999%

**accessories**



- mounting bracket: [ZW.45](#)

- differential pressure display



- differential pressure gauge: [DM.2](#)