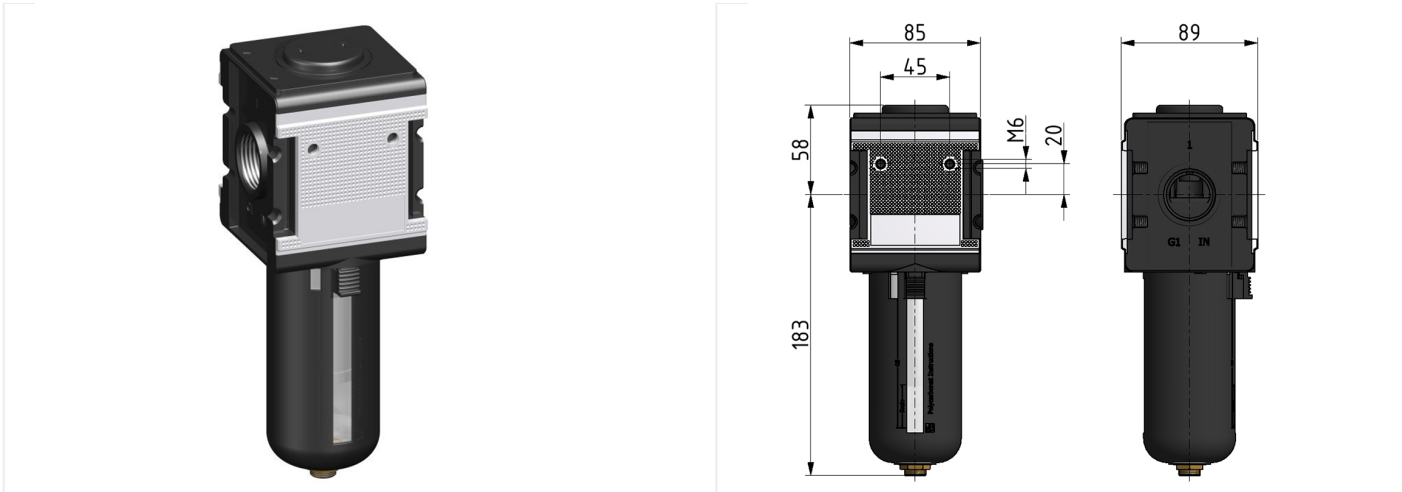


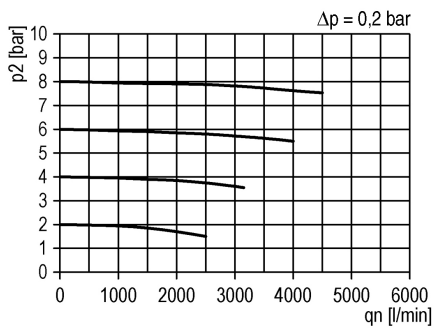
Filter of the Multi-Fix series

Activated carbon filter G1 with PC bowl and bowl guard

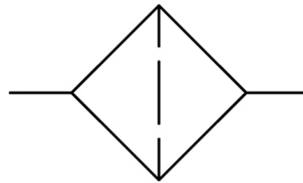


type	part-number	series	port size	flow rate	weight
FA.45 B	9.1345.971	Multi-Fix	G 1	3000 l/min	1.091 kg

flow characteristic



symbol



technical data

- **description:** active carbon filter
- **medium:** compressed air, neutral gases
- **supply pressure P1 min.:** 0 bar
- **supply pressure P1 max.:** 16 bar
- **temperature range:** -10°C - +60°C
- **bowl:** PC with PA bowl guard
- **mounting:** vertical
- **residual oil concent:** 0,005 mg/m³

accessories



- mounting bracket: [ZW.45](#)