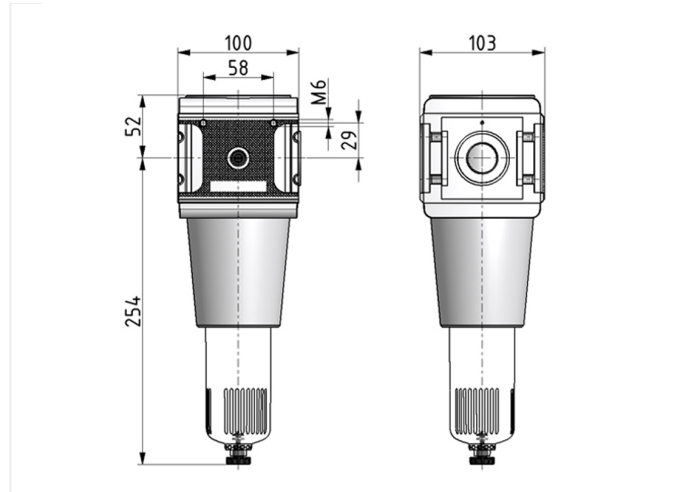


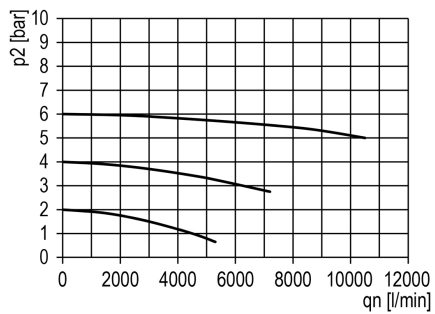
Filter of the Multi-Fix series

Filter G3/4 8µm with PC bowl and semi automatic drain

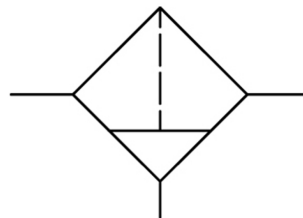


type	part-number	series	port size	flow rate	weight
F.54 HA4	9.1354.00.050	Multi-Fix	G 3/4	10500 l/min	1.892 kg

flow characteristic



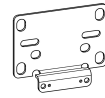
symbol



technical data

- **description:** sinter filter centrifugal principle
- **medium:** compressed air, neutral gases
- **supply pressure P1 min.:** 1,5 bar
- **supply pressure P1 max.:** 16 bar
- **temperature range:** -10°C - +60°C
- **owl:** PC
- **drain:** HA
- **mounting:** vertical
- **filter element:** 8 µm

accessories



- mounting bracket: [ZW.55](#)