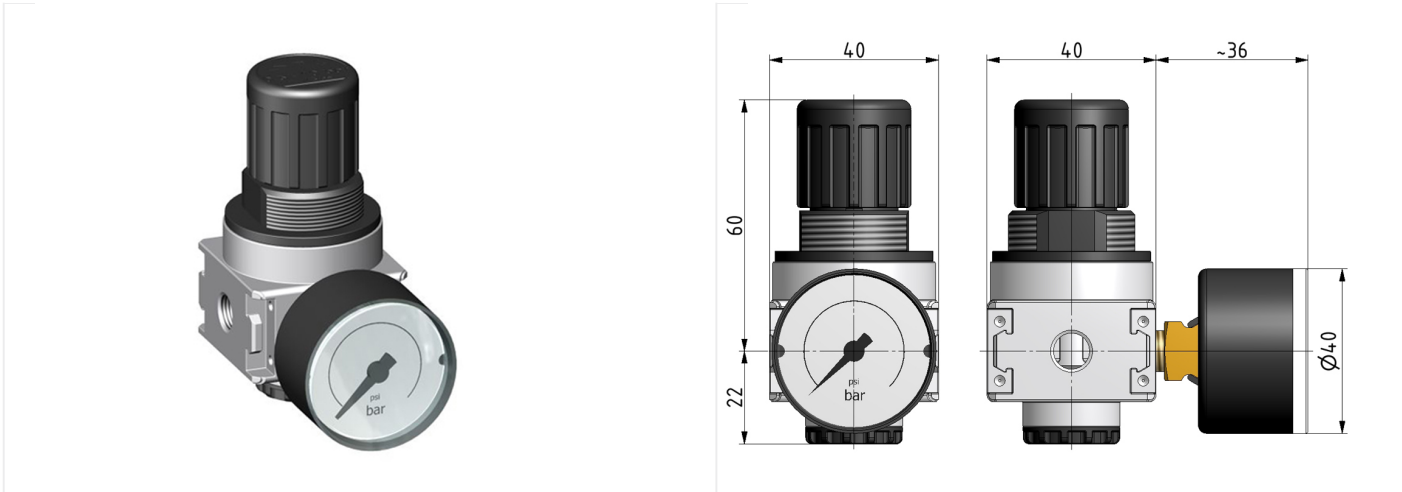
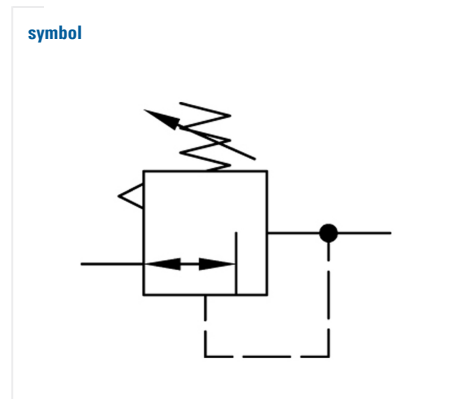
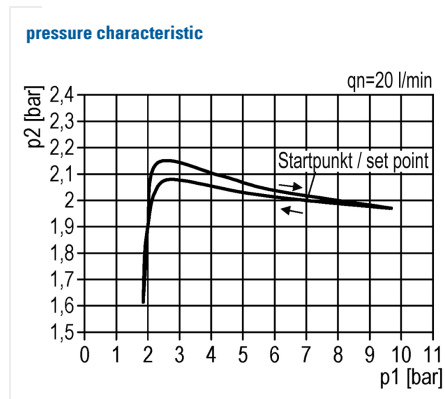
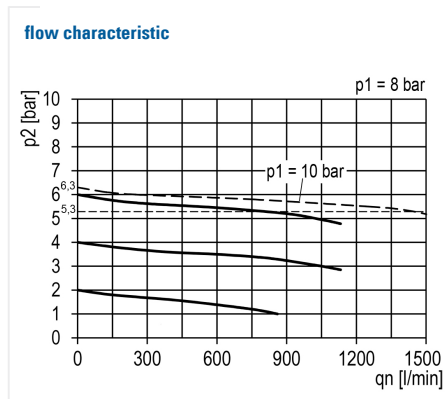


Pressure-regulator of the Multi-Fix series

Pressure regulator G1/8 0,5-10 with gauge G 40.16 R



type	part-number	series	port size	flow rate	adjustment range P2 max.	weight
R.00 G	9.1700.00.002	Multi-Fix	G 1/8	1450 l/min	10 bar	0.336 kg



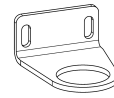
technical data

- **description:** air line regulator with diaphragm and relieving feature
- **medium:** compressed air, neutral gases
- **supply pressure P1 max.:** 16 bar
- **temperature range:** -10°C - +60°C
- **control panel nut:** control panel nut

accessories



- coupling kit wall mounting:
[ZW.00-1](#)



- control panel mounting:
[MW.30/DR.00-34-2](#)

- lockable setting knob possible