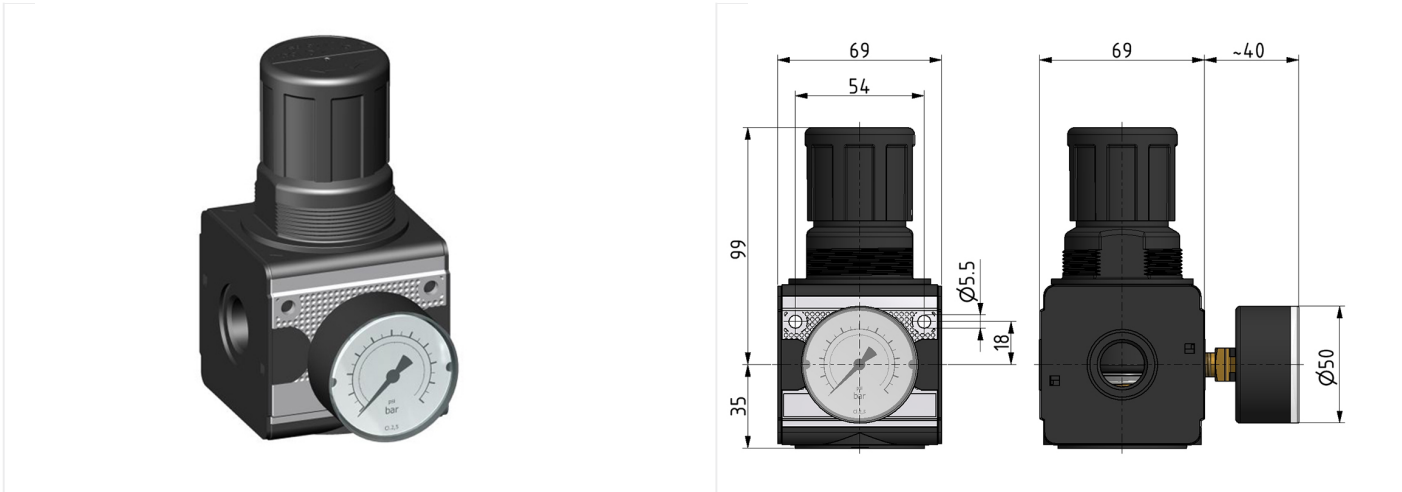


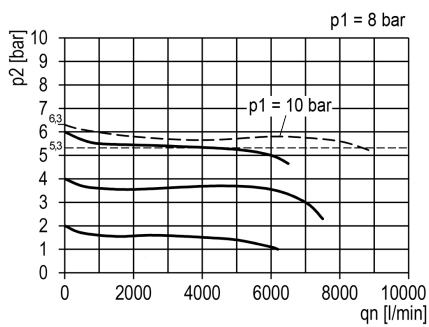
Pressure-regulator of the Multi-Fix series

Pressure regulator G3/4 0,5-10 with gauge G 50.16 R

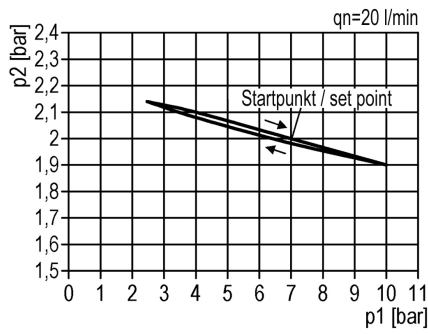


type	part-number	series	port size	flow rate	adjustment range P2 max.	weight
R.34 G	9.1734.002	Multi-Fix	G 3/4	8700 l/min	10 bar	0.844 kg

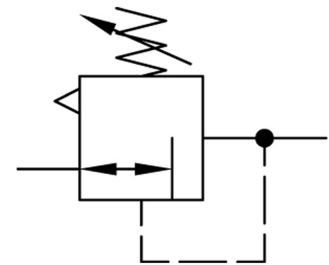
flow characteristic



pressure characteristic



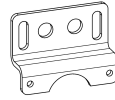
symbol



technical data

- **description:** air line regulator with diaphragm and relieving feature
- **medium:** compressed air, neutral gases
- **supply pressure P1 max.:** 16 bar
- **temperature range:** -10°C - +60°C

accessories



- mounting bracket: [ZW.33-1](#)



- control panel mounting:
[MW.50/C.33-42](#)

- lockable setting knob possible