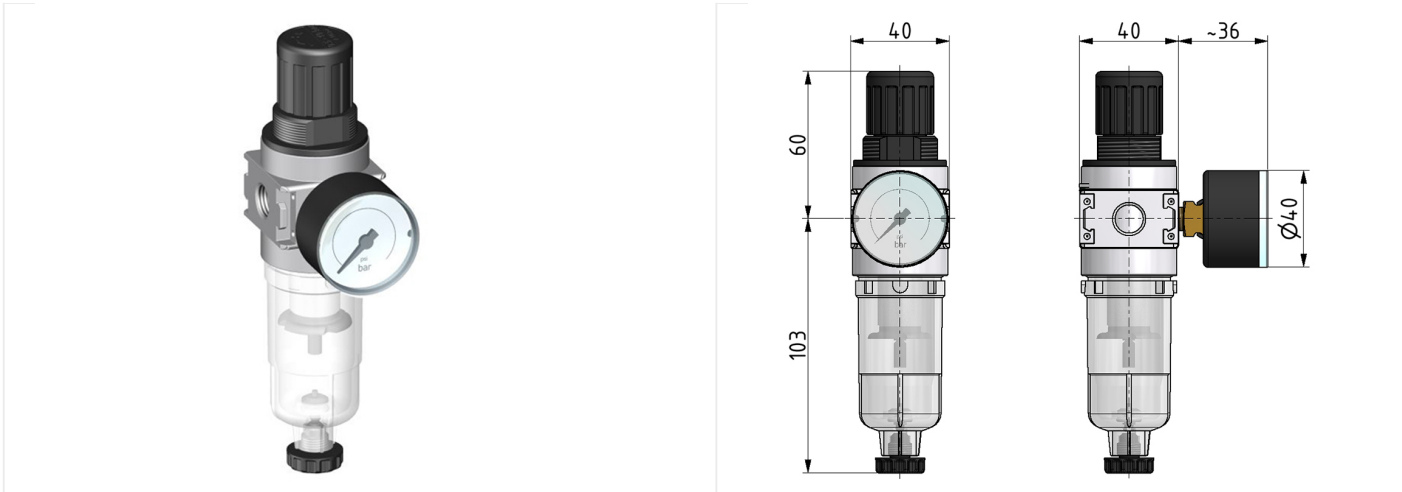
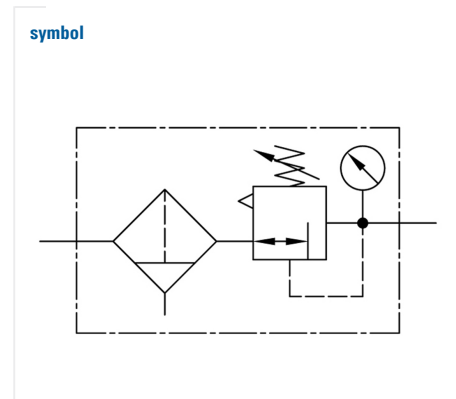
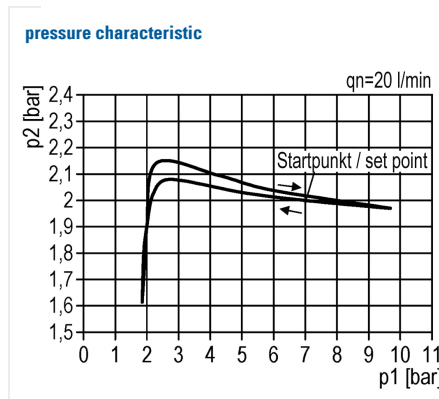
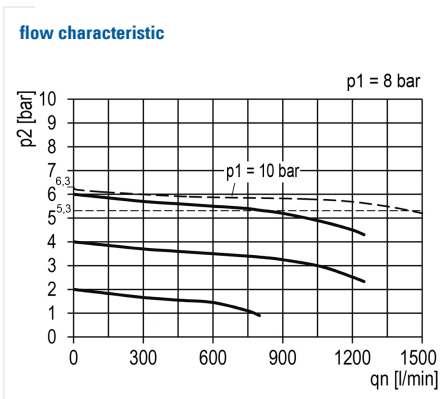


## Filter regulator of the Multi-Fix series

Filter regulator G1/4 0,5-10 5µm with PC bowl, semi automatic drain and gauge G 40.16 R



| type       | part-number   | series    | port size | flow rate  | adjustment range P2 max. | weight   |
|------------|---------------|-----------|-----------|------------|--------------------------|----------|
| C.01 G HA4 | 9.2101.00.014 | Multi-Fix | G 1/4     | 1450 l/min | 10 bar                   | 0.351 kg |



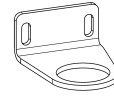
**technical data**

- **description:** sinter filter centrifugal principle, diaphragm-type pressure with relieving feature
- **medium:** compressed air, neutral gases
- **supply pressure P1 min.:** 1,5 bar
- **supply pressure P1 max.:** 16 bar
- **temperature range:** -10°C - +60°C
- **bowl:** PC
- **drain:** HA
- **mounting:** vertical
- **filter element:** 5 µm

**accessories**



- coupling kit wall mounting:  
[ZW.00-1](#)



- control panel mounting:  
[MW.30/DR.00-34-2](#)

- lockable setting knob possible