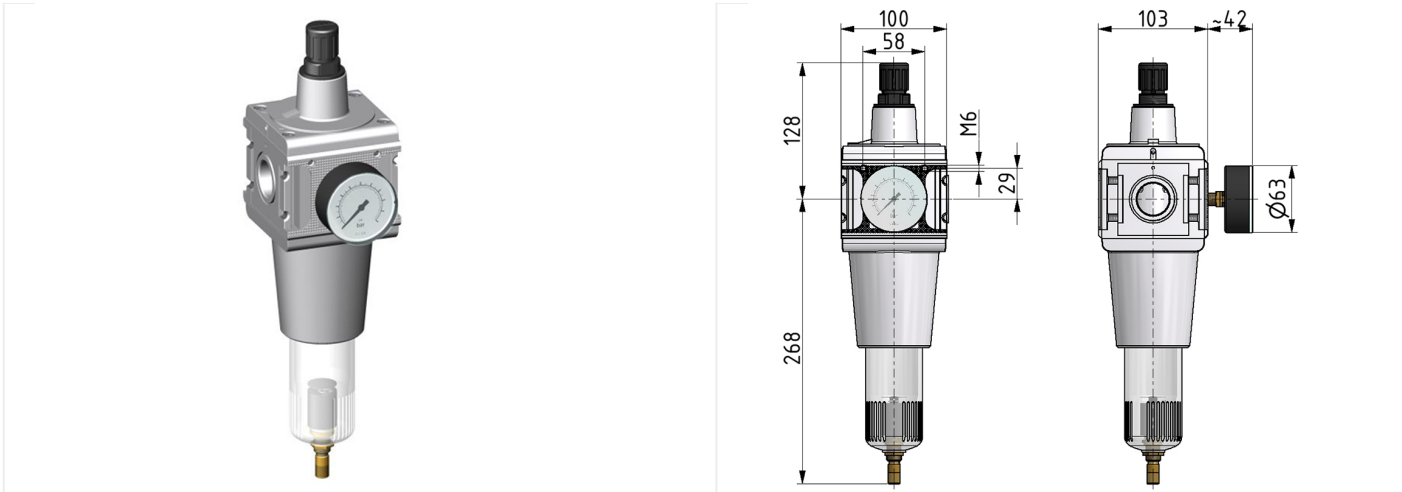
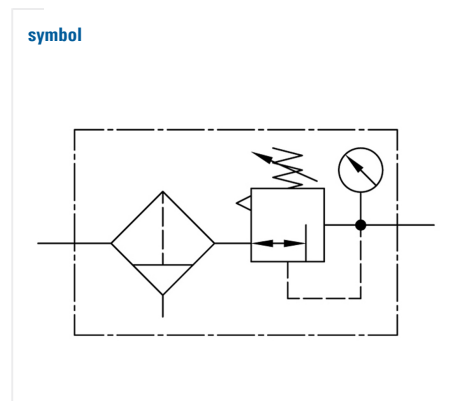
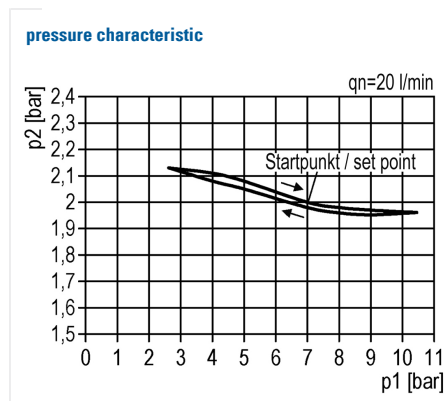
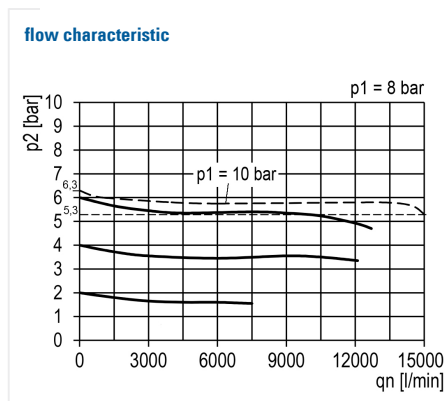


## Filter regulator of the Multi-Fix series

Filter regulator G1 0,5-10 40µm with PC bowl, automatic drain and gauge G 63.16 R



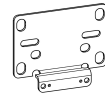
type	part-number	series	port size	flow rate	adjustment range P2 max.	weight
C.55 G AM10	9.2155.00.336	Multi-Fix	G 1	15000 l/min	10 bar	2.337 kg



#### technical data

- **description:** sinter filter centrifugal principle, pilot controlled diaphragm-type pressure with relieving feature
- **medium:** compressed air, neutral gases
- **supply pressure P1 min.:** 1,5 bar
- **supply pressure P1 max.:** 16 bar
- **temperature range:** -10°C - +60°C
- **bowl:** PC
- **drain:** AM NO
- **mounting:** vertical
- **filter element:** 40 µm
- **air consumption:** max. 0,5 l/min

#### accessories



- mounting bracket: [ZW.55](#)

- lockable setting knob possible