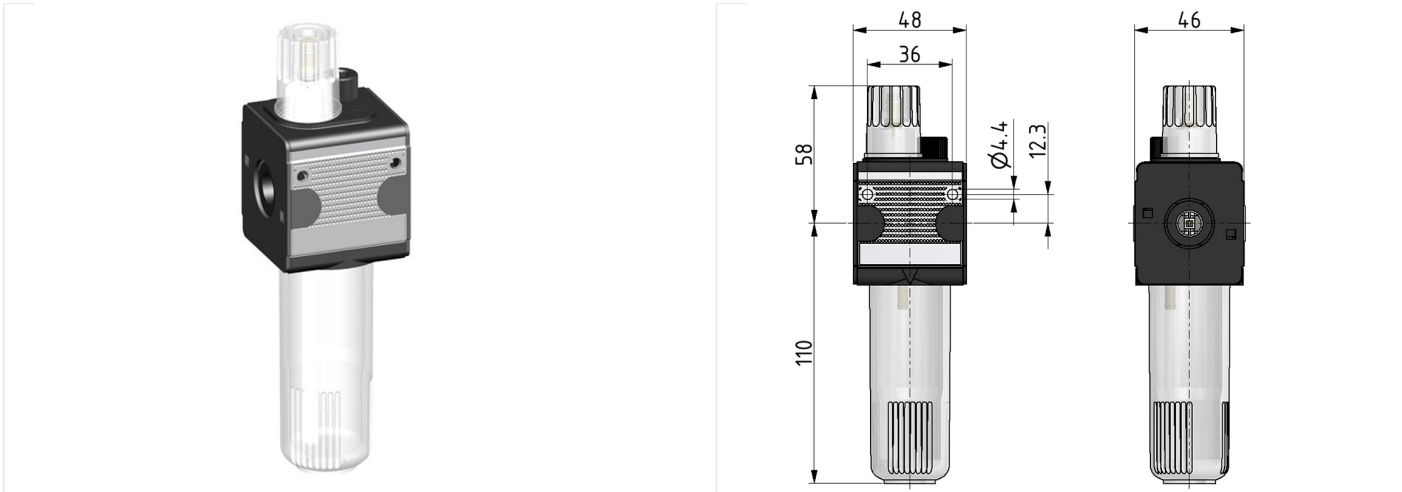


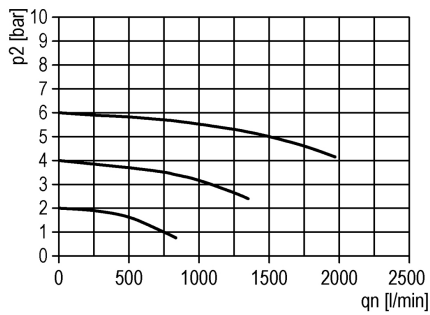
Lubricator of the Multi-Fix series

Micro lubricator G1/4 with PC bowl

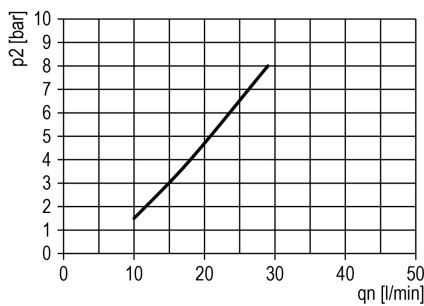


type	part-number	series	port size	flow rate	weight
ML.11	9.2511.200	Multi-Fix	G 1/4	1500 l/min	0.336 kg

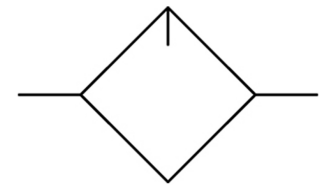
flow characteristic



lubricator operating limit



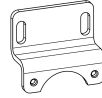
symbol



technical data

- **description:** micro lubricator
- **medium:** compressed air, neutral gases
- **supply pressure P1 max.:** 16 bar
- **temperature range:** -10°C - +60°C
- **bowl:** PC
- **mounting:** vertical
- **bowl volume lubricator:** 50 cm³
- **oil type:** CL 32 DIN 51517 - ISO VG 32
- **dome assembly:** PC
- **oil fill in:** cannot be filled with oil during operation

accessories



- mounting bracket: [ZW.11-1](#)
- electrical level indicator (version addition: N)
- Metall-Tropfaufsatz L.33 H