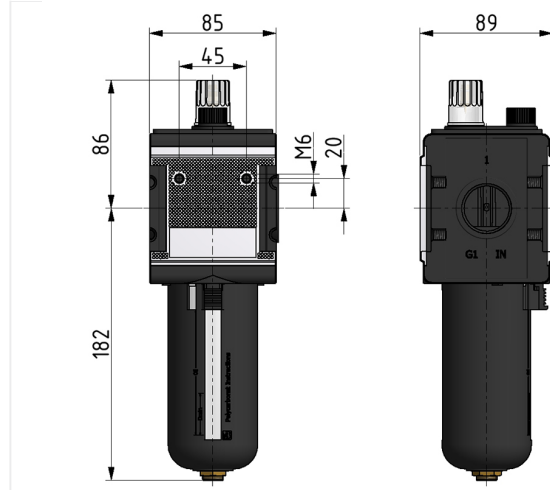


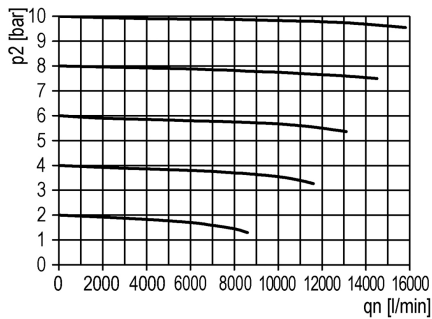
## Lubricator of the Multi-Fix series

Lubricator G3/4 with PC bowl

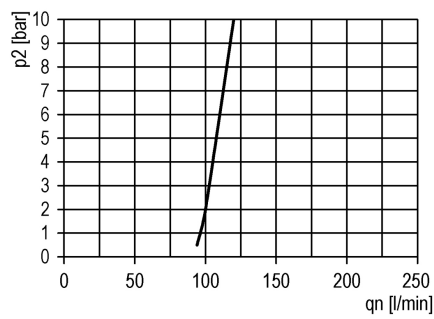


type	part-number	series	port size	flow rate	weight
L.44 B	9.2544.004	Multi-Fix	G 3/4	14000 l/min	1.200 kg

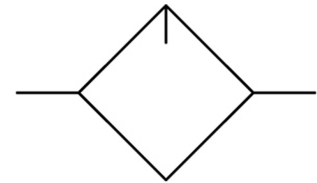
flow characteristic



lubricator operating limit



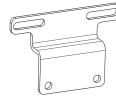
symbol



**technical data**

- **description:** proportional lubricator
- **medium:** compressed air, neutral gases
- **supply pressure P1 max.:** 16 bar
- **temperature range:** -10°C - +60°C
- **bowl:** PC with PA bowl guard
- **mounting:** vertical
- **bowl volume lubricator:** 181 cm<sup>3</sup>
- **oil type:** CL 32 DIN 51517 - ISO VG 32
- **dome assembly:** PC
- **oil fill in:** can be filled with oil during operation

**accessories**



- mounting bracket: [ZW.45](#)
- electrical level indicator (version addition: N)
- Metall-Tropfaufsatz L.33 H