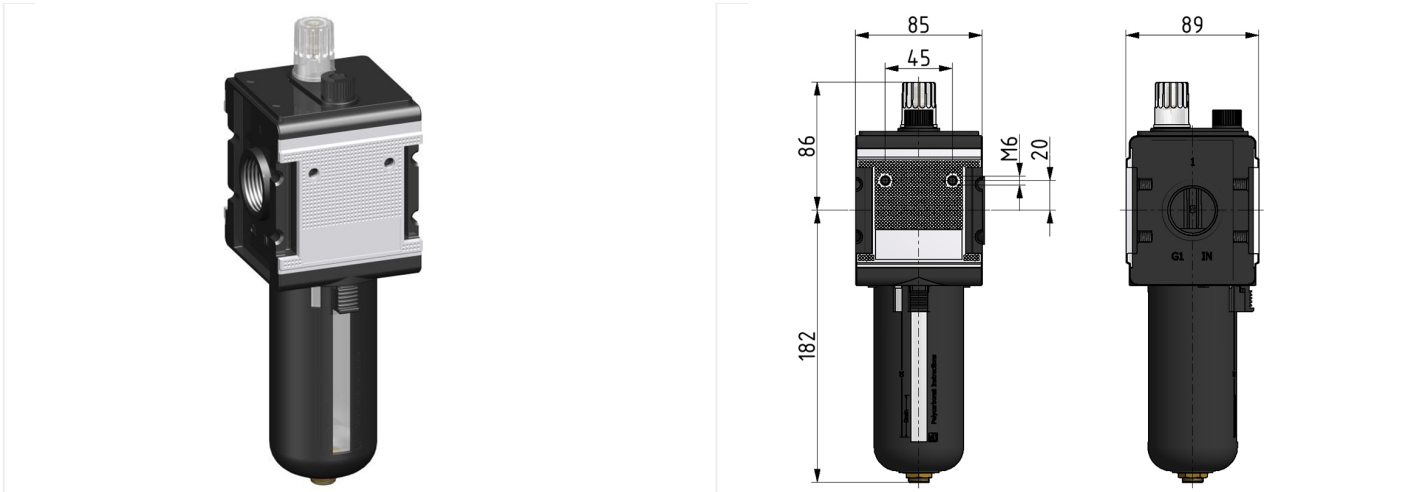


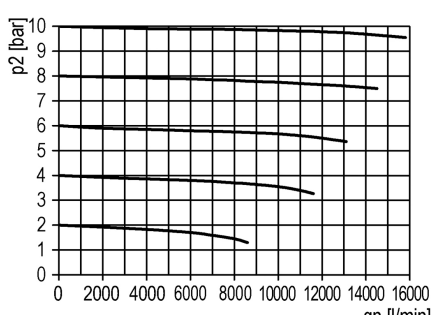
Lubricator of the Multi-Fix series

Lubricator G1 with PC bowl

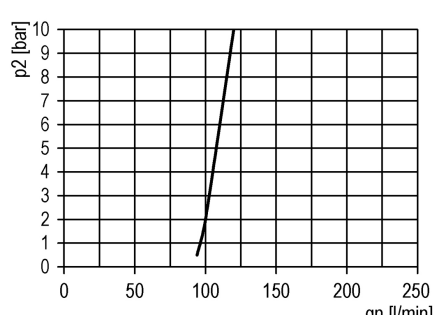


type	part-number	series	port size	flow rate	weight
L.45 B	9.2545.004	Multi-Fix	G 1	14000 l/min	1.132 kg

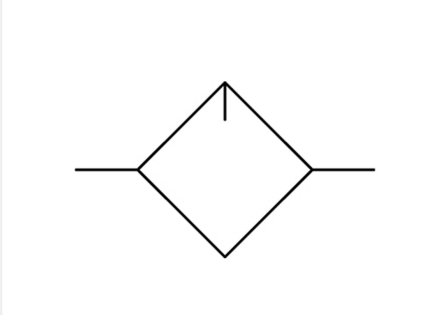
flow characteristic



lubricator operating limit



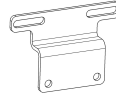
symbol



technical data

- **description:** proportional lubricator
- **medium:** compressed air, neutral gases
- **supply pressure P1 max.:** 16 bar
- **temperature range:** -10°C - +60°C
- **bowl:** PC with PA bowl guard
- **mounting:** vertical
- **bowl volume lubricator:** 181 cm³
- **oil type:** CL 32 DIN 51517 - ISO VG 32
- **dome assembly:** PC
- **oil fill in:** can be filled with oil during operation

accessories



- mounting bracket: [ZW.45](#)
- electrical level indicator (version addition: N)
- Metall-Tropfaufsatz L.33 H