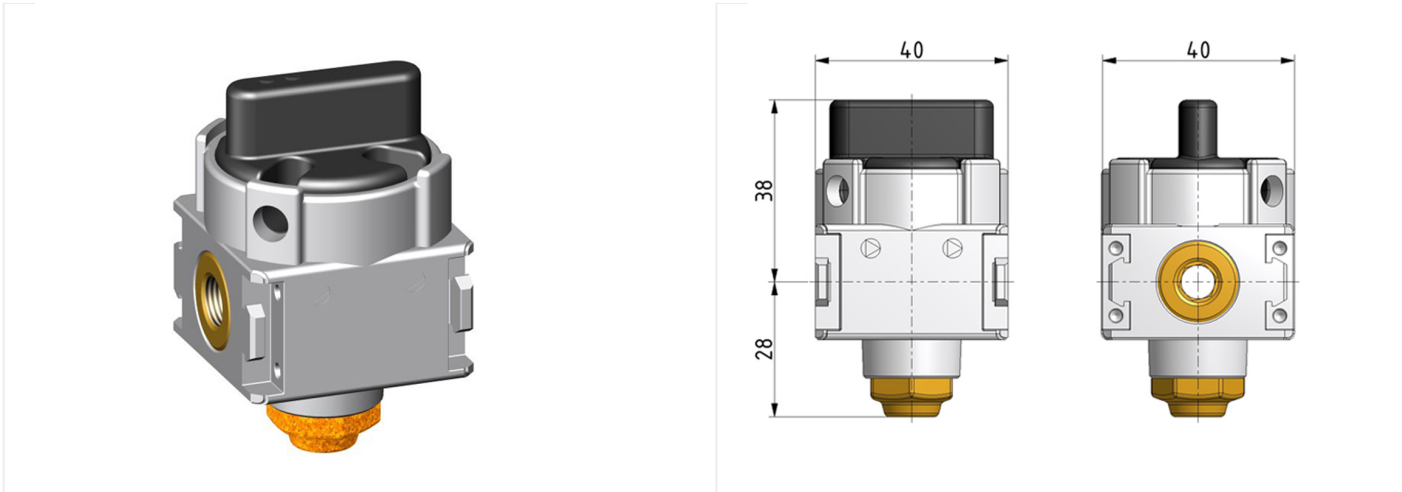


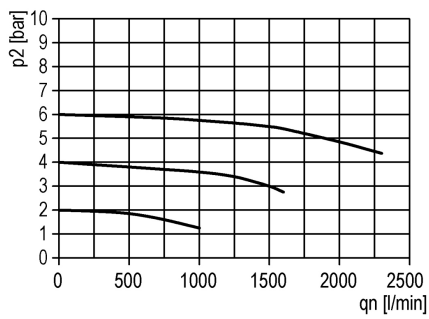
System extensions of the Multi-Fix series

Ball valve G1/8 with silencer

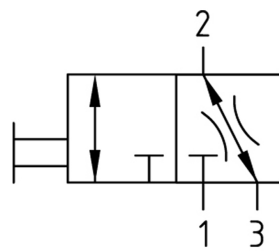


type	part-number	series	port size	flow rate	weight
K.00	9.4000.00.000/1	Multi-Fix	G 1/8	1800 l/min	0.217 kg

flow characteristic



symbol



technical data

- **description:** 3/2 directional control valve, shut off for downstream air
- **medium:** compressed air, neutral gases
- **supply pressure P1 max.:** 16 bar
- **temperature range:** -10°C - +60°C
- **locking:** lockable with padlock
- **exhaust:** G 1/4
- **operating:** knob can be turned 90°

accessories



- coupling kit wall mounting:
[ZW.00-1](#)