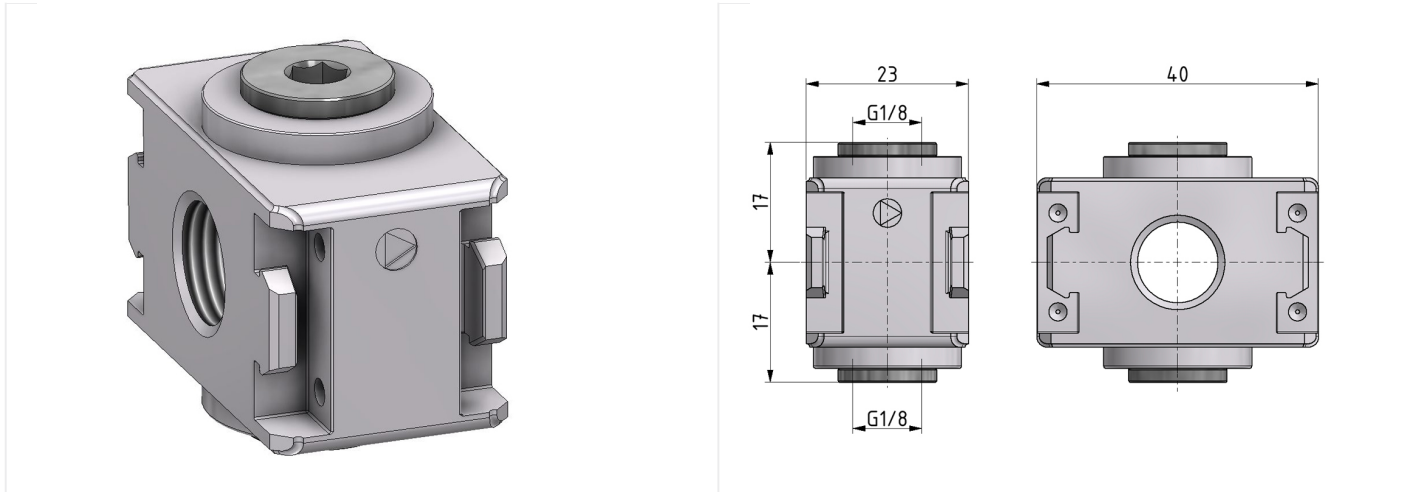


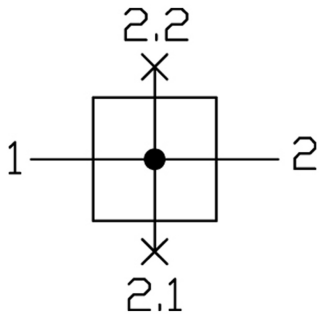
## System extensions of the Multi-Fix series

Distributor small G1/4



type	part-number	series	port size	weight
Z.01	9.4001.00.300	Multi-Fix	G 1/4	0.129 kg

### symbol



### technical data

- **description:** distribution manifold block
- **medium:** compressed air, neutral gases
- **supply pressure P1 max.:** 16 bar
- **temperature range:** -10°C - +60°C
- **flow rate 1 => 2:** 2700 l/min
- **flow rate below 1 => 2.1:** Qn = 1300 l/min (at P1 = 6 bar, delta p = 1 bar)
- **flow rate top 1 => 2.2:** Qn = 1300 l/min (at P1 = 6 bar, delta p = 1 bar)

### accessories



- P/E Wandler: [PE.310](#)