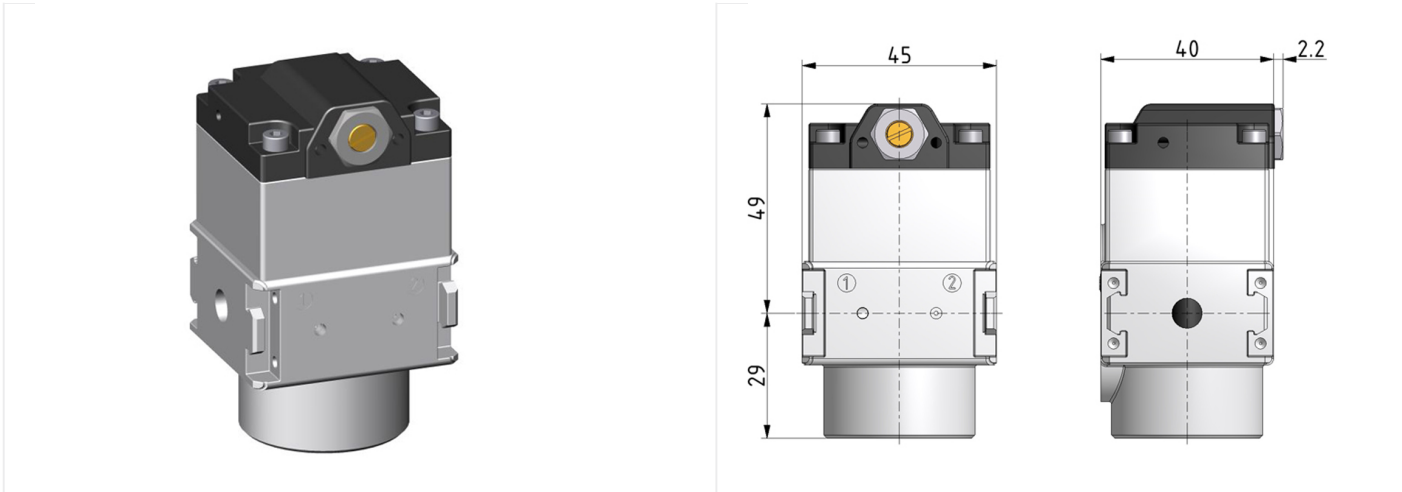


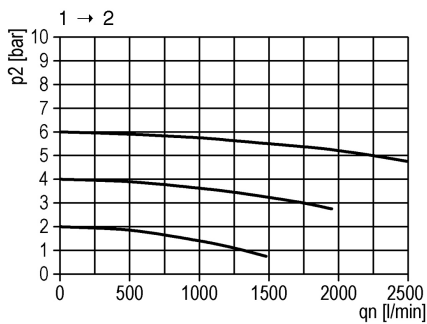
System extensions of the Multi-Fix series

Soft start valve G1/4 with adjustable throttle

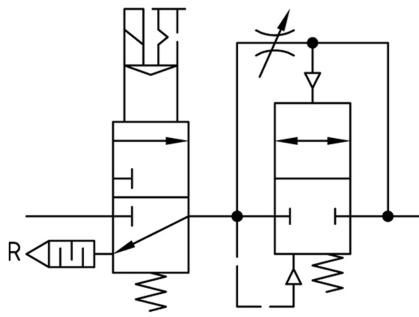


type	part-number	series	port size	flow rate	weight
A.01 F	9.4001.00.400	Multi-Fix	G 1/4	2250 l/min	0.416 kg

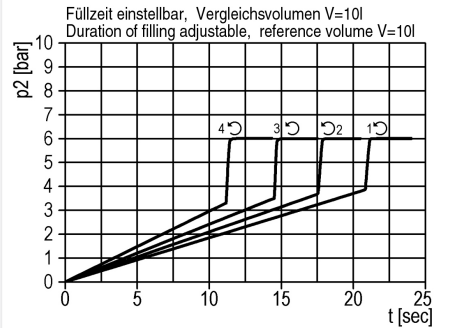
flow characteristic



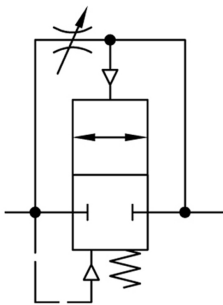
operating conditions



charging characteristics



symbol



technical data

- **description:** poppet valve, operated by secondary pressure
- **medium:** compressed air, neutral gases
- **supply pressure P1 min.:** 2,5 bar
- **supply pressure P1 max.:** 16 bar
- **temperature range:** -10°C - +60°C
- **switching pressure:** 50% P1 (only for closed systems)

accessories



- coupling kit wall mounting:
[ZW.00-1](#)