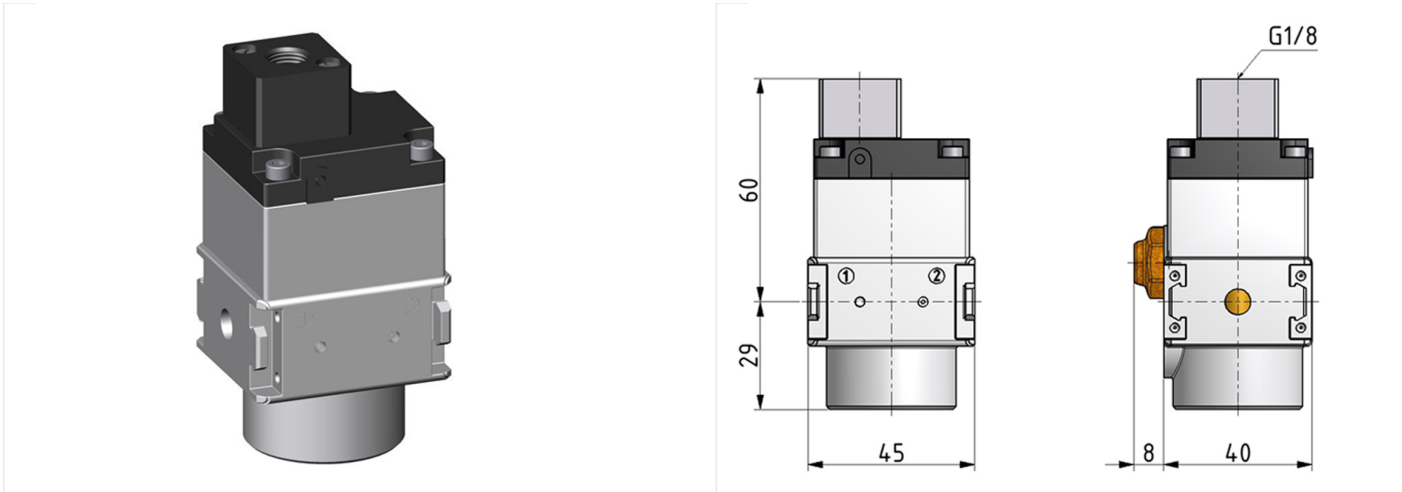
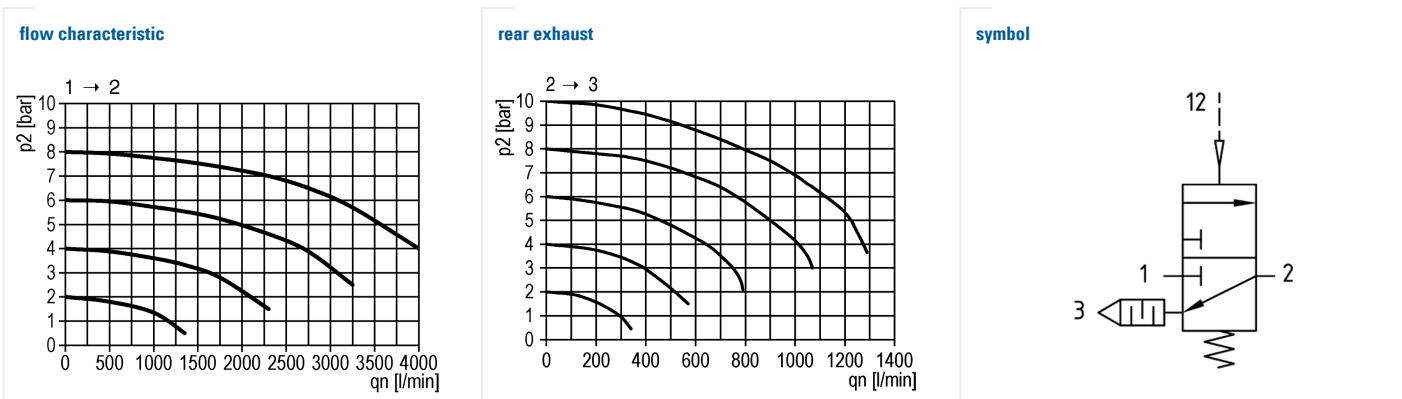


## System extensions of the Multi-Fix series

3/2 Directional control valve G1/4 pneumatic operated



type	part-number	series	port size	flow rate	weight
S.01 I	9.4001.00.540	Multi-Fix	G 1/4	2000 l/min	0.436 kg



#### technical data

- **description:** 3/2 poppet valve
- **medium:** compressed air, neutral gases
- **supply pressure P1 max.:** 16 bar
- **temperature range:** -10°C - +60°C
- **input signal:** pneumatic
- **exhaust:** G 1/4

#### accessories



- coupling kit wall mounting:  
[ZW.00-1](#)