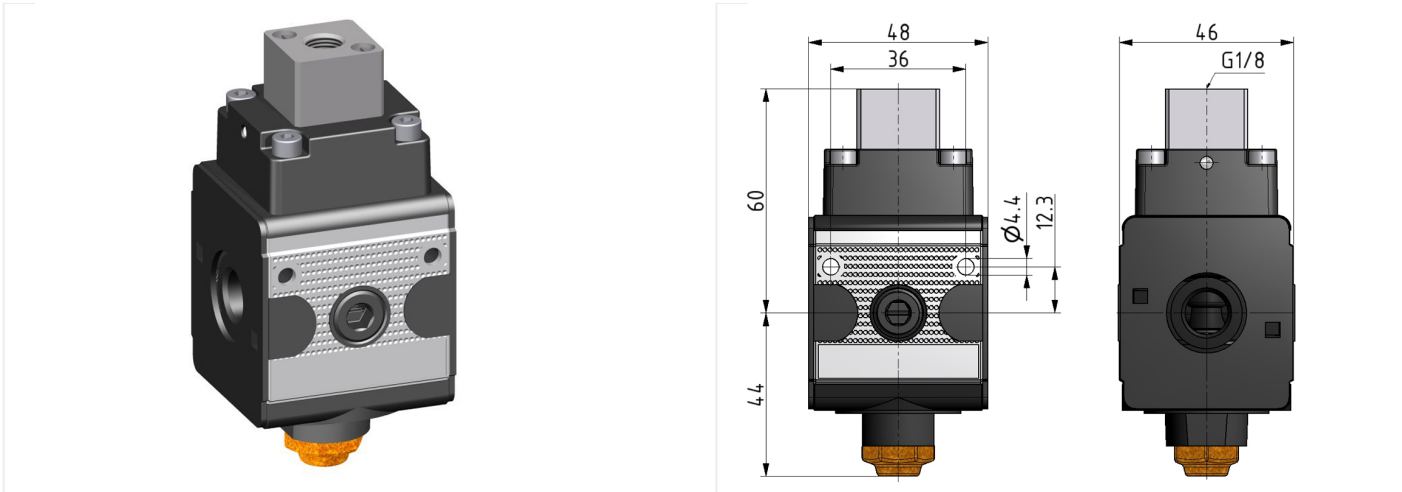


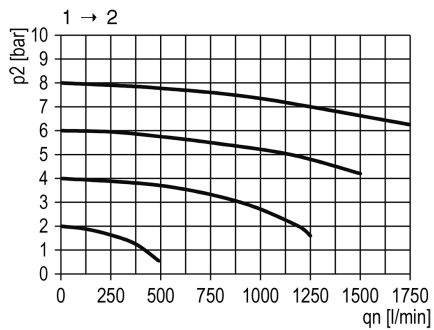
## System extensions of the Multi-Fix series

3/2 Directional control valve G1/4 pneumatic operated

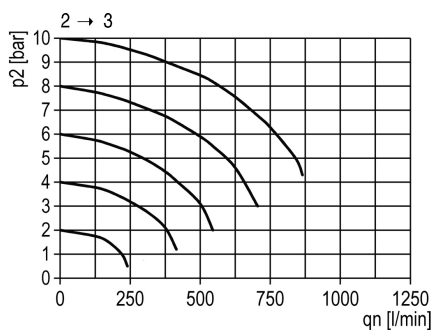


type	part-number	series	port size	flow rate	weight
S.11 I	9.4011.540	Multi-Fix	G 1/4	1150 l/min	0.370 kg

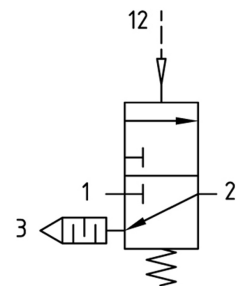
flow characteristic



rear exhaust



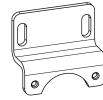
symbol



#### technical data

- **description:** 3/2 poppet valve
- **medium:** compressed air, neutral gases
- **supply pressure P1 max.:** 16 bar
- **temperature range:** -10°C - +60°C
- **input signal:** pneumatic
- **exhaust:** G 1/4

#### accessories



- mounting bracket: [ZW.11-1](#)