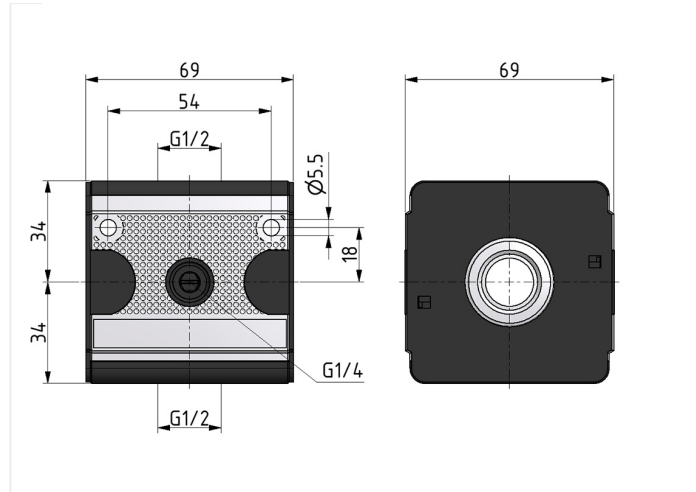
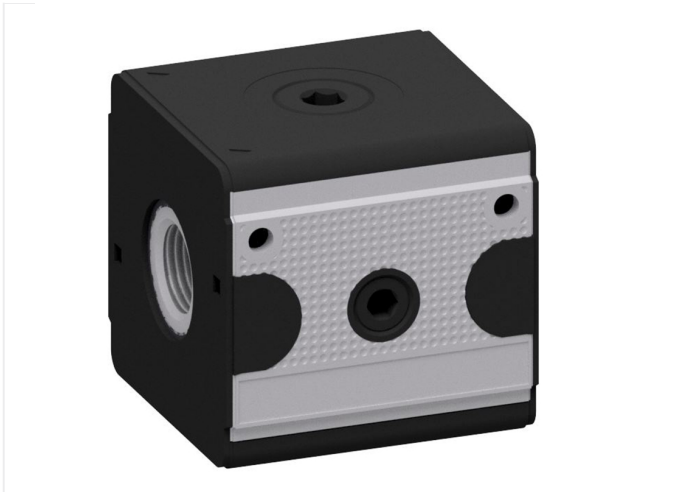


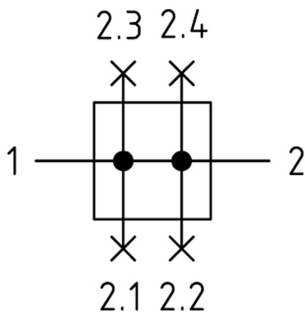
## System extensions of the Multi-Fix series

Distributor G1/2



| type | part-number | series    | port size | weight   |
|------|-------------|-----------|-----------|----------|
| T.33 | 9.4033.200  | Multi-Fix | G 1/2     | 0.664 kg |

### symbol



### technical data

- **description:** air distribution block (manifold block)
- **medium:** compressed air, neutral gases
- **supply pressure P1 max.:** 16 bar
- **temperature range:** -10°C - +60°C
- **flow rate 1 => 2:** 11000 l/min
- **flow rate below 1 => 2.1:** Qn = 8750 l/min (at P1 = 6 bar, delta p = 1 bar)
- **flow rate top 1 => 2.2:** Qn = 8750 l/min (at P1 = 6 bar, delta p = 1 bar)
- **flow rate front 1 => 2.3:** Qn = 1300 l/min (at P1 = 6 bar, delta p = 1 bar)
- **flow rate back 1 => 2.4:** Qn = 1300 l/min (at P1 = 6 bar, delta p = 1 bar)

### accessories



- mounting bracket: [ZW.33-1](#)