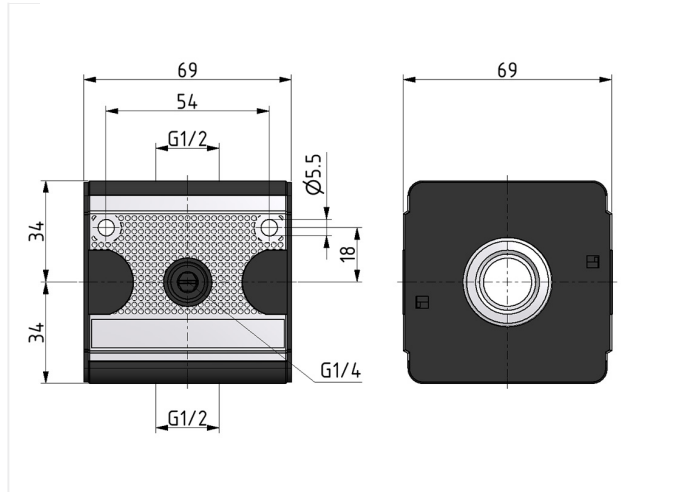
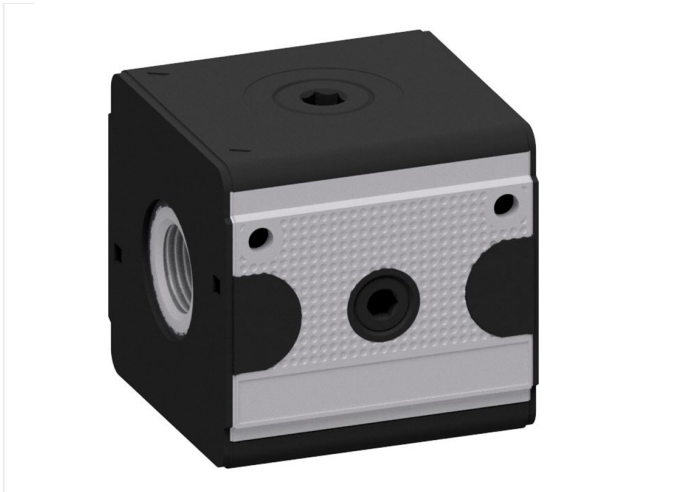


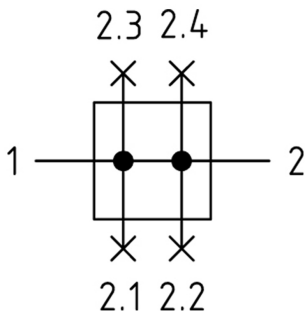
System extensions of the Multi-Fix series

Distributor G3/4



type	part-number	series	port size	weight
T.34	9.4034.200	Multi-Fix	G 3/4	0.663 kg

symbol



technical data

- **description:** air distribution block (manifold block)
- **medium:** compressed air, neutral gases
- **supply pressure P1 max.:** 16 bar
- **temperature range:** -10°C - +60°C
- **flow rate 1 => 2:** 11000 l/min
- **flow rate below 1 => 2.1:** Qn = 8750 l/min (at P1 = 6 bar, delta p = 1 bar)
- **flow rate top 1 => 2.2:** Qn = 8750 l/min (at P1 = 6 bar, delta p = 1 bar)
- **flow rate front 1 => 2.3:** Qn = 1300 l/min (at P1 = 6 bar, delta p = 1 bar)
- **flow rate back 1 => 2.4:** Qn = 1300 l/min (at P1 = 6 bar, delta p = 1 bar)

accessories



- mounting bracket: [ZW.33-1](#)