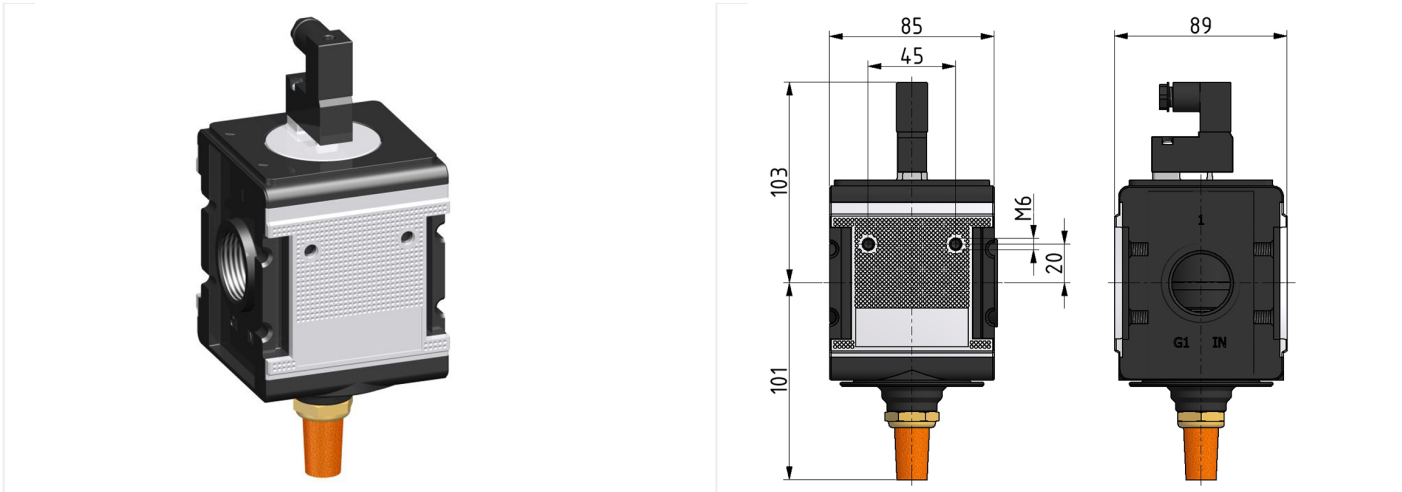


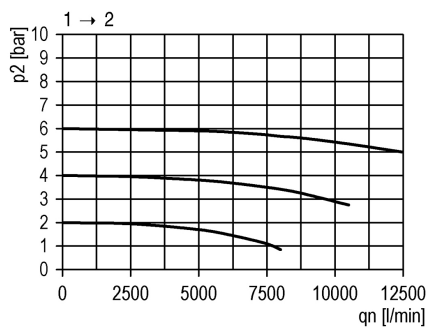
System extensions of the Multi-Fix series

3/2 Directional control valve G3/4 electric operated 230V/50Hz

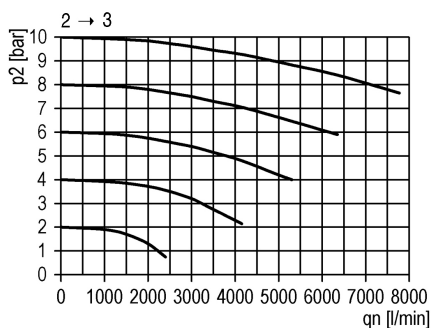


type	part-number	series	port size	flow rate	weight
S.44	9.4044.510	Multi-Fix	G 3/4	12500 l/min	1.275 kg

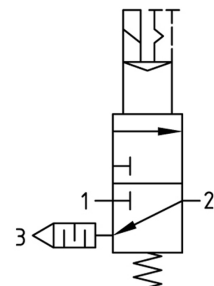
flow characteristic



rear exhaust



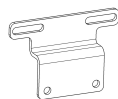
symbol



technical data

- **description:** 3/2 poppet valve
- **medium:** compressed air, neutral gases
- **supply pressure P1 min.:** 2 bar
- **supply pressure P1 max.:** 10 bar
- **temperature range:** -10°C - +60°C
- **input signal:** 230V/50Hz
- **exhaust:** G 1/2
- **relative switch on duration:** 100%
- **capacity:** 2,5 W
- **protection class:** IP 65 according to DIN 40050
- **electrical connection:** socket coupling EN 175301-803, form C / ISO 15217 poles 2+PE (included in scope of delivery)

accessories



- mounting bracket: [ZW.45](#)