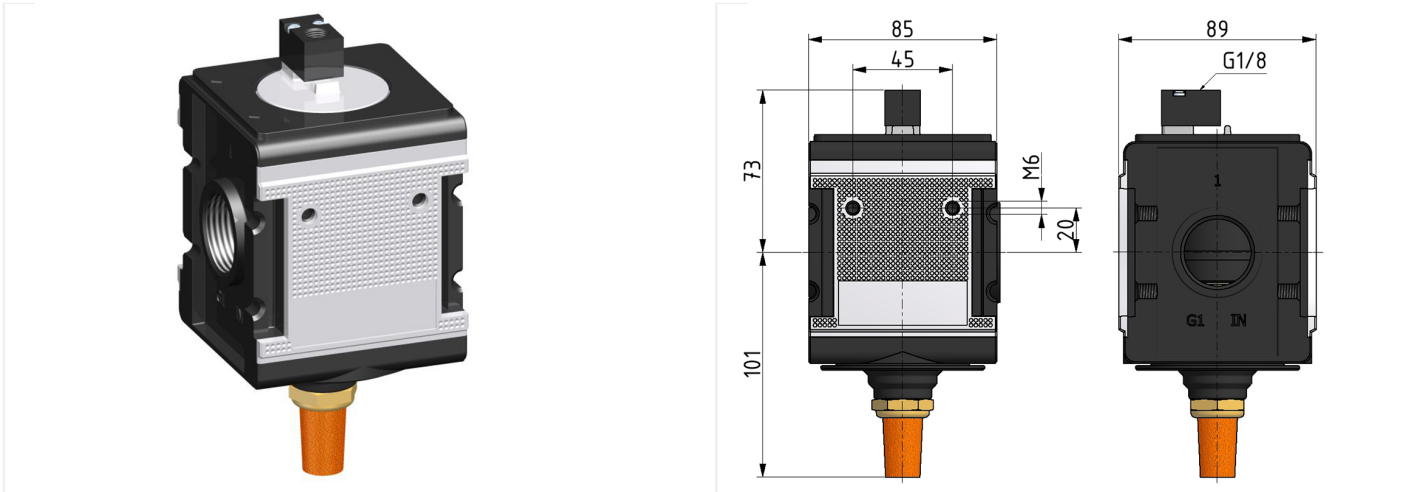
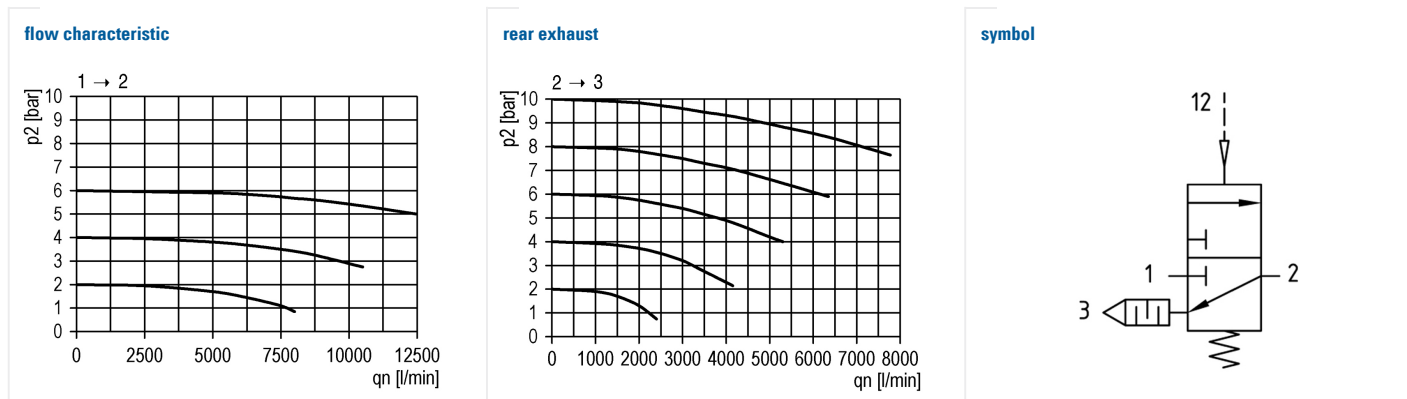


System extensions of the Multi-Fix series

3/2 Directional control valve G3/4 pneumatic operated



type	part-number	series	port size	flow rate	weight
S.44 I	9.4044.540	Multi-Fix	G 3/4	12500 l/min	1.245 kg



technical data

- **description:** 3/2 poppet valve
- **medium:** compressed air, neutral gases
- **supply pressure P1 min.:** 2 bar
- **supply pressure P1 max.:** 16 bar
- **temperature range:** -10°C - +60°C
- **input signal:** pneumatic
- **exhaust:** G 1/2

accessories



- mounting bracket: [ZW.45](#)