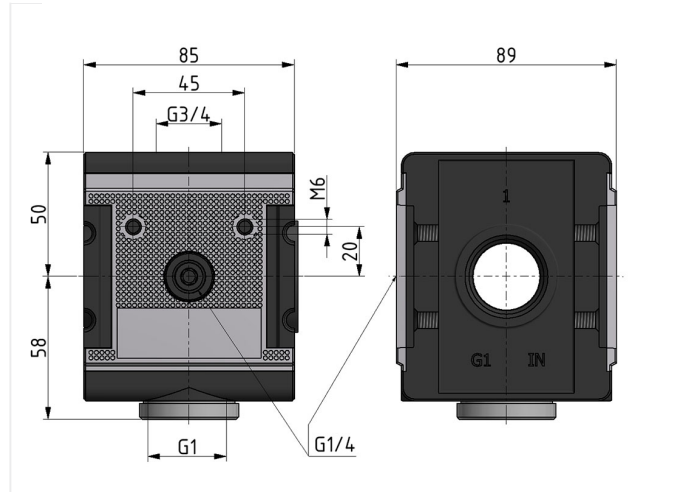


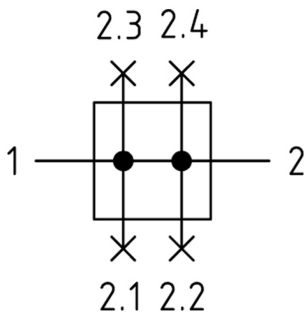
System extensions of the Multi-Fix series

Distributor G1



type	part-number	series	port size	weight
T.45	9.4045.200	Multi-Fix	G 1	1.379 kg

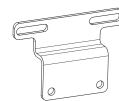
symbol



technical data

- **description:** air distribution block (manifold block)
- **medium:** compressed air, neutral gases
- **supply pressure P1 max.:** 16 bar
- **temperature range:** -10°C - +60°C
- **flow rate 1 => 2:** 18000 l/min
- **flow rate below 1 => 2.1:** Qn = 12000 l/min (at P1 = 6 bar, delta p = 1 bar)
- **flow rate top 1 => 2.2:** Qn = 8500 l/min (at P1 = 6 bar, delta p = 1 bar)
- **flow rate front 1 => 2.3:** Qn = 2600 l/min (at P1 = 6 bar, delta p = 1 bar)
- **flow rate back 1 => 2.4:** Qn = 2600 l/min (at P1 = 6 bar, delta p = 1 bar)

accessories



- mounting bracket: [ZW.45](#)