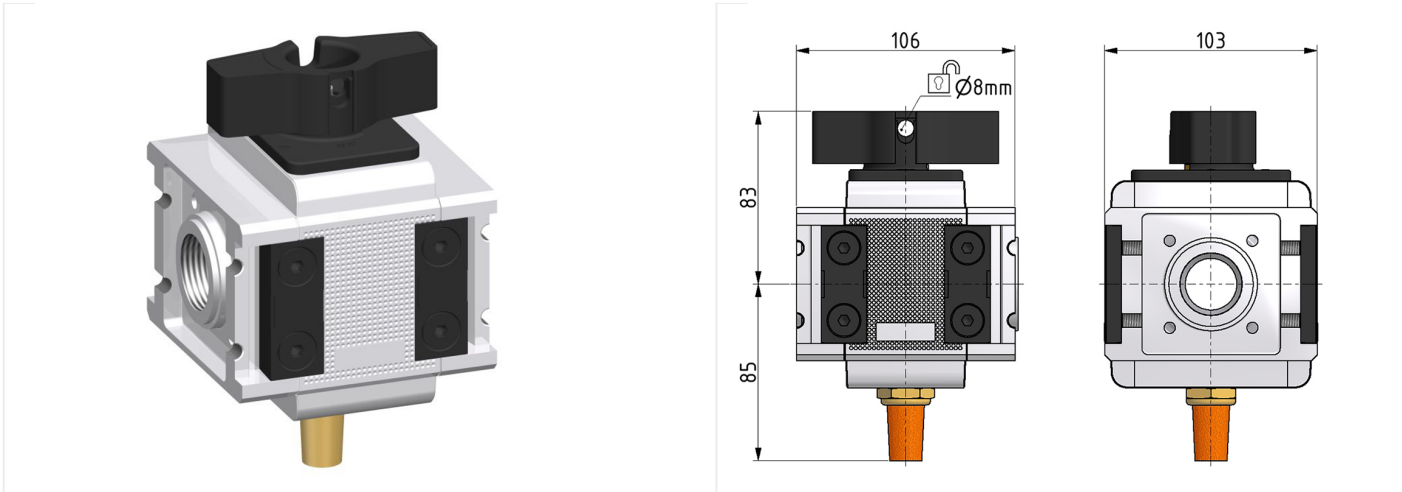


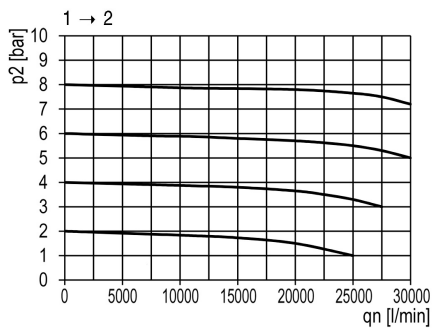
System extensions of the Multi-Fix series

Ball valve G3/4 with 2x connection plate and silencer

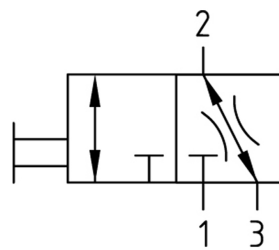


type	part-number	series	port size	flow rate	weight
K.54 2AP	9.4054.00.001/1	Multi-Fix	G 3/4	30000 l/min	2.235 kg

flow characteristic



symbol



technical data

- **description:** 3/2 directional control valve, shut off for downstream air
- **medium:** compressed air, neutral gases
- **supply pressure P1 max.:** 16 bar
- **temperature range:** -10°C - +60°C
- **locking:** lockable with padlock (setting knob can be locked by pressing downwards)
- **exhaust:** G 1/2
- **operating:** knob can be turned 90°

accessories