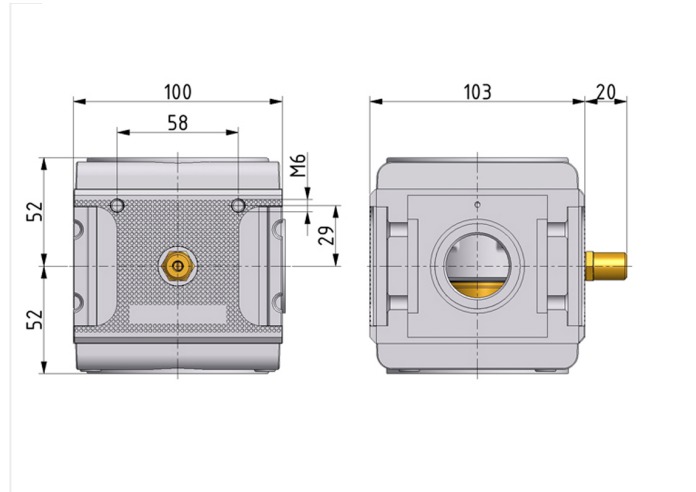


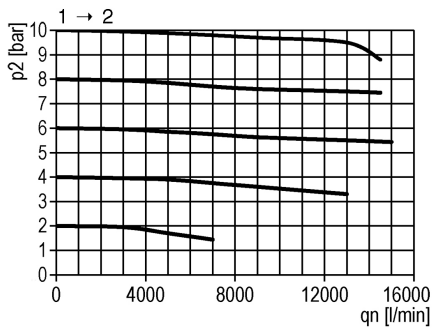
System extensions of the Multi-Fix series

Soft start valve G3/4 with adjustable throttle

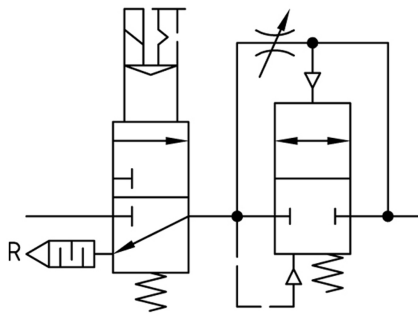


type	part-number	series	port size	flow rate	weight
A.54 F	9.4054.00.400	Multi-Fix	G 3/4	16000 l/min	0.939 kg

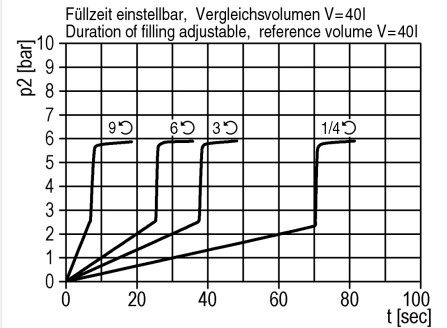
flow characteristic



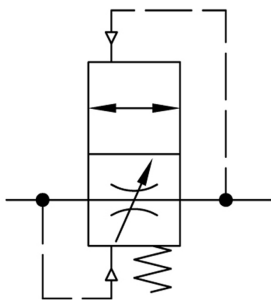
operating conditions



charging characteristics



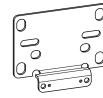
symbol



technical data

- **description:** poppet valve, operated by secondary pressure
- **medium:** compressed air, neutral gases
- **supply pressure P1 min.:** 2 bar
- **supply pressure P1 max.:** 16 bar
- **temperature range:** -10°C - +60°C
- **switching pressure:** 50% P1 (only for closed systems)

accessories



- mounting bracket: [ZW.55](#)