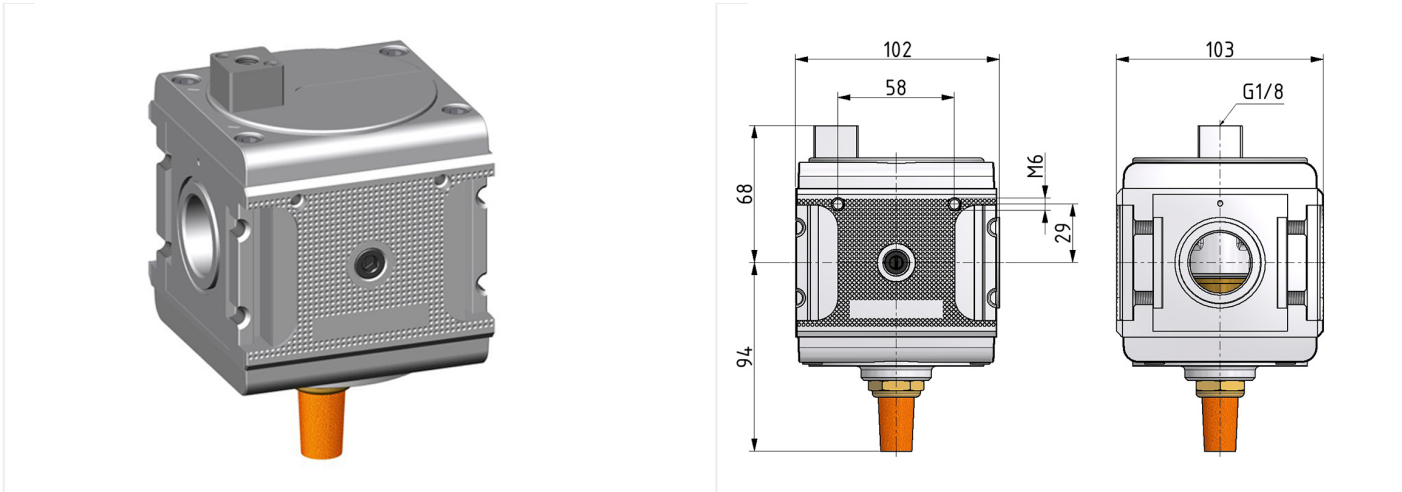


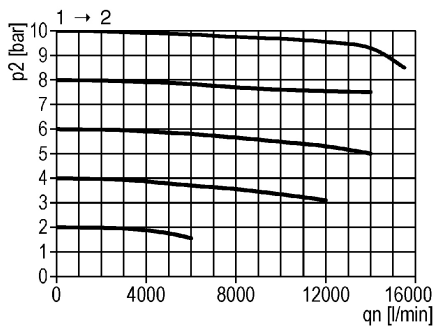
System extensions of the Multi-Fix series

3/2 Directional control valve G3/4 pneumatic operated

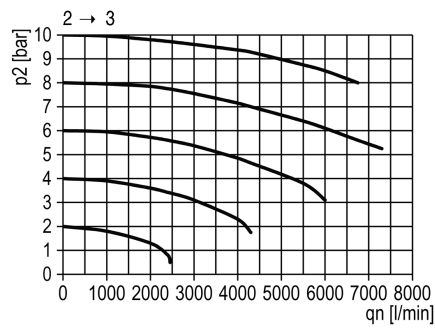


type	part-number	series	port size	flow rate	weight
S.54 I	9.4054.00.540	Multi-Fix	G 3/4	14000 l/min	1.454 kg

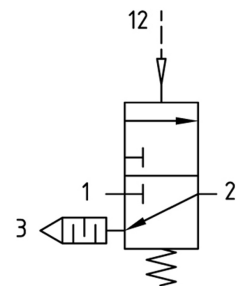
flow characteristic



rear exhaust



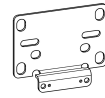
symbol



technical data

- **description:** 3/2 poppet valve
- **medium:** compressed air, neutral gases
- **supply pressure P1 max.:** 16 bar
- **temperature range:** -10°C - +60°C
- **input signal:** pneumatic
- **exhaust:** G 1/2
- **relative switch on duration:** 100%

accessories



- mounting bracket: [ZW.55](#)