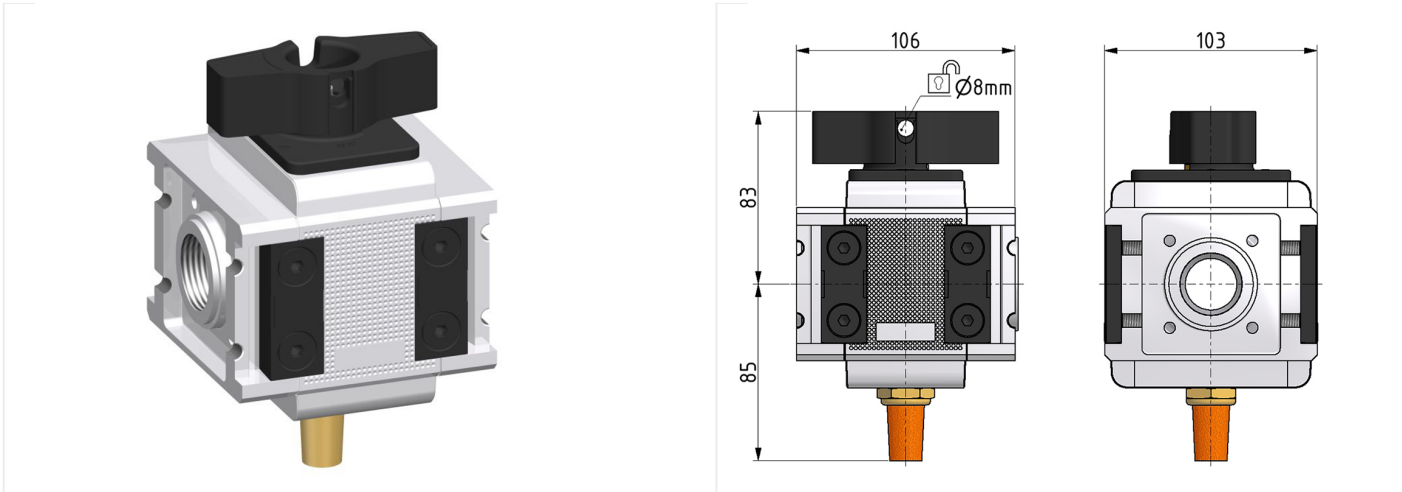


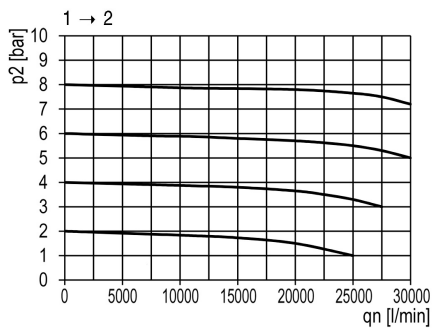
System extensions of the Multi-Fix series

Ball valve G1 with 2x connection plate and silencer

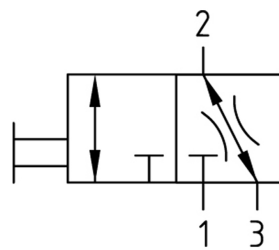


type	part-number	series	port size	flow rate	weight
K.55 2AP	9.4055.00.001/1	Multi-Fix	G 1	30000 l/min	2.200 kg

flow characteristic



symbol





technical data

- **description:** 3/2 directional control valve, shut off for downstream air
- **medium:** compressed air, neutral gases
- **supply pressure P1 max.:** 16 bar
- **temperature range:** -10°C - +60°C
- **locking:** lockable with padlock
- **exhaust:** G 1/2
- **operating:** knob can be turned 90°

accessories